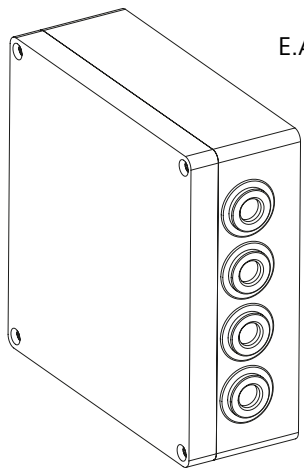


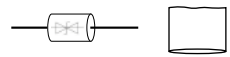
# AirKey

Montageanleitung | Assembly manual | Montagehandleiding  
Instructions de montage | Istruzioni di montaggio | Montážní návody  
Montážne návody | Instrukcje montażu | Installationsanvisningar



E.A.WL.CUS

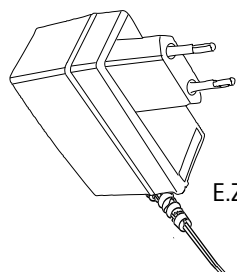
IP54



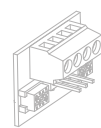
E.TE.ZU.CU6



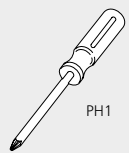
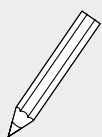
Option



E.ZU.WL.NT



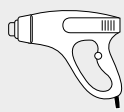
E.A.WL.\_ \_



PH1



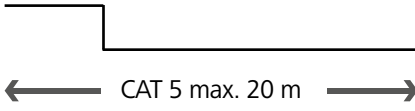
2,5/0,5 mm



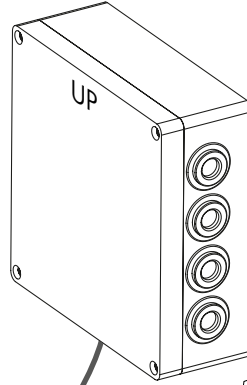
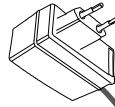
4x



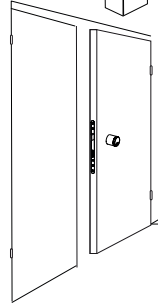
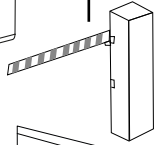
Option



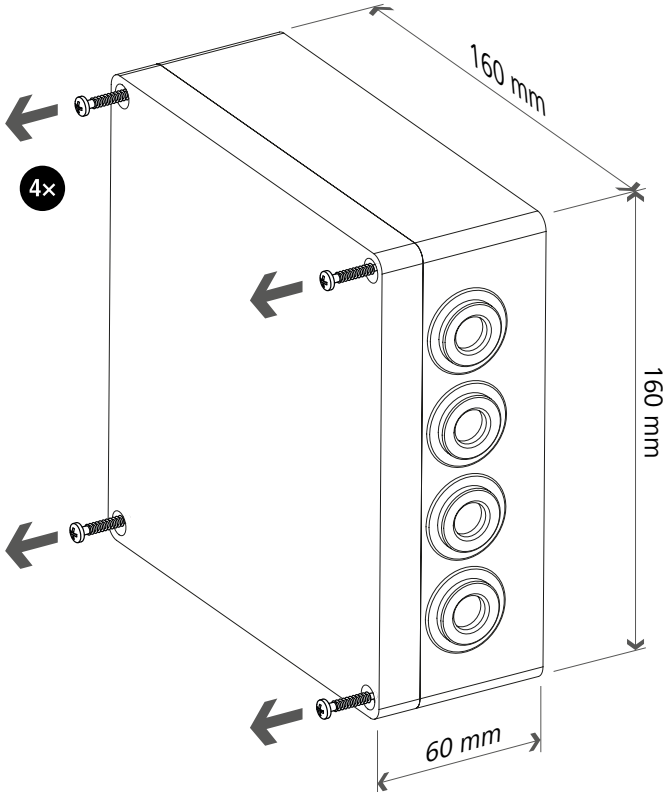
CAT 5 max. 20 m  
up to 100 m –  
Rloop max.  $<2\Omega$



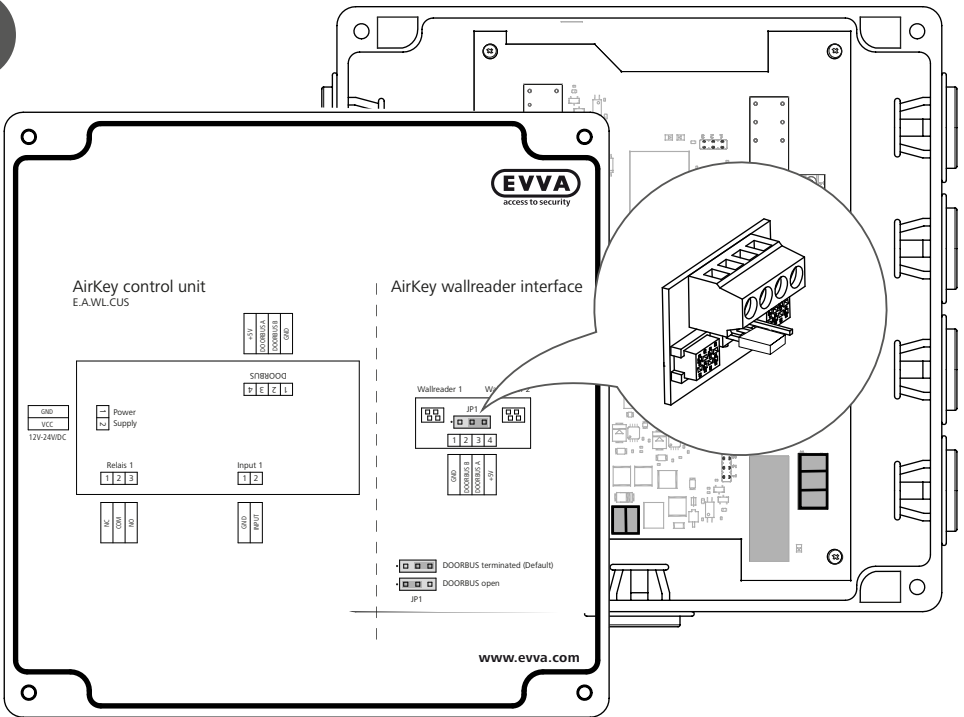
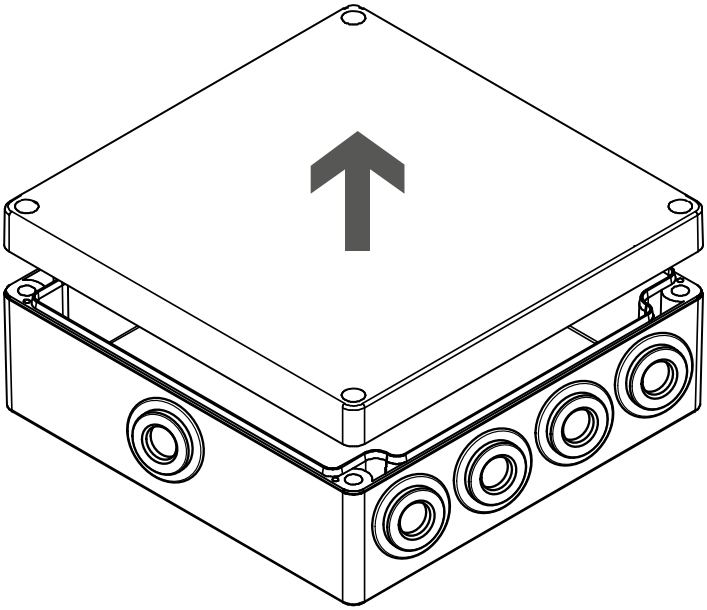
Option



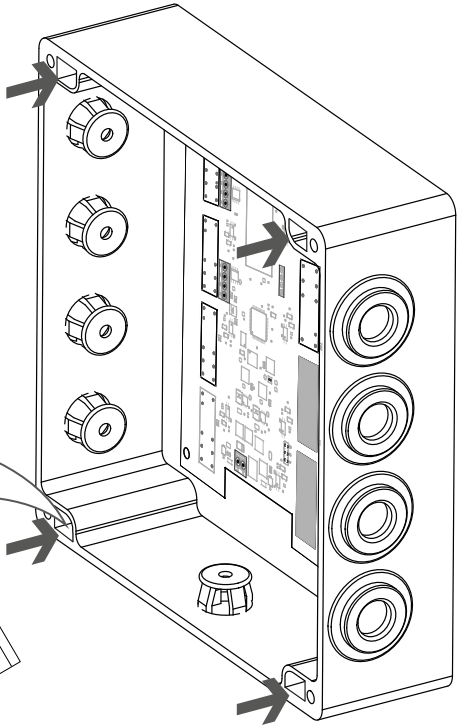
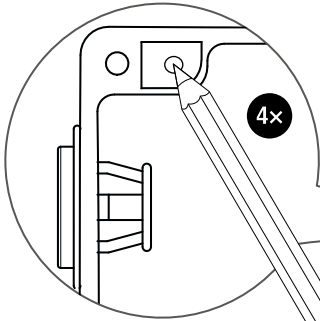
1



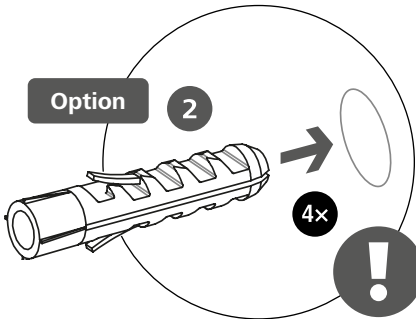
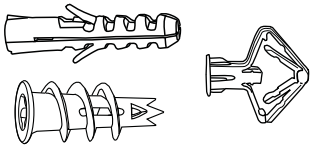
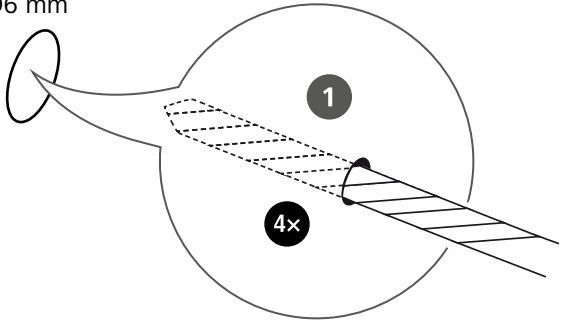
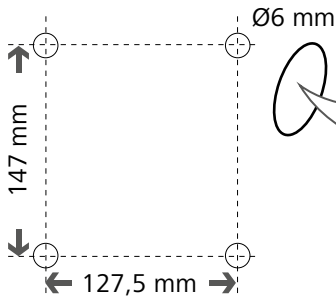
2



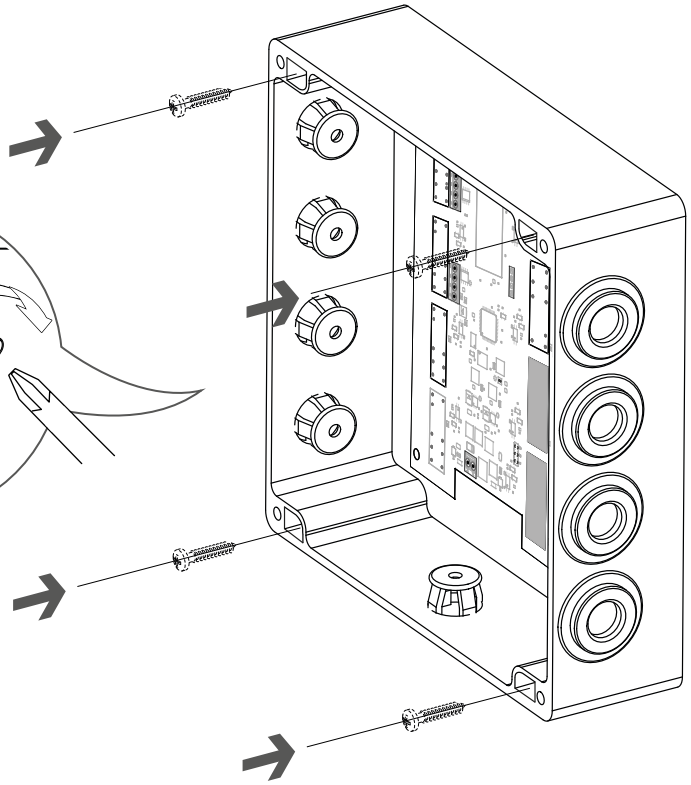
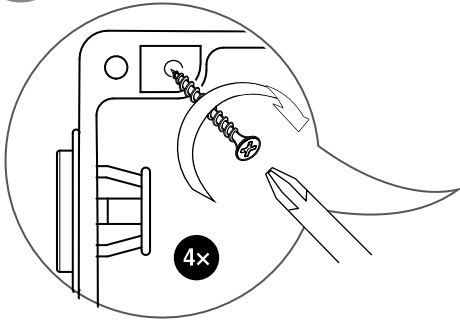
3



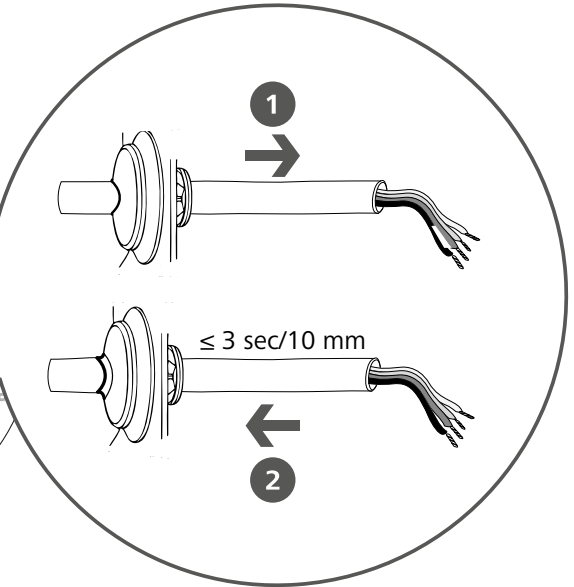
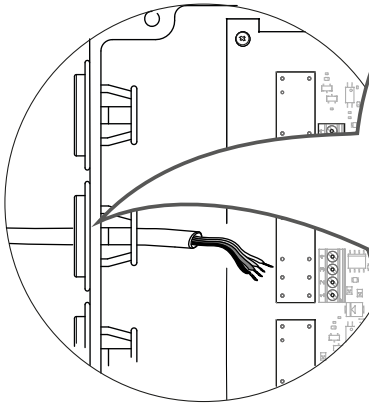
4



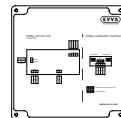
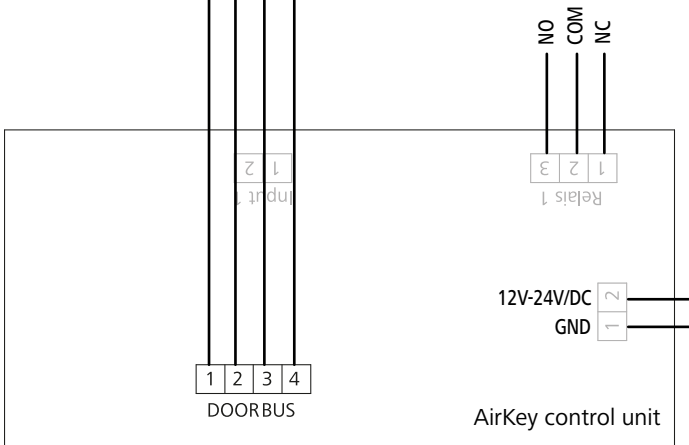
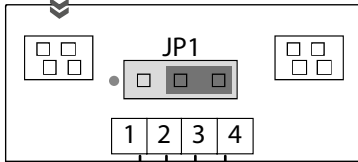
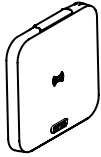
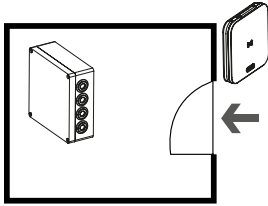
5



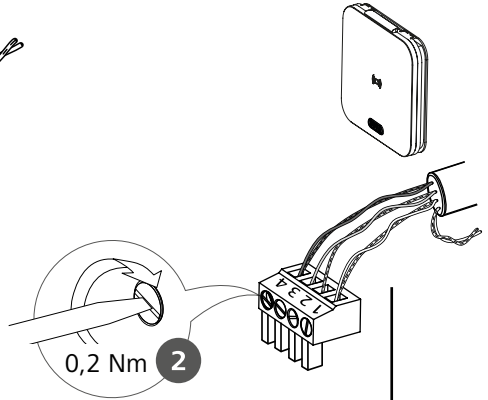
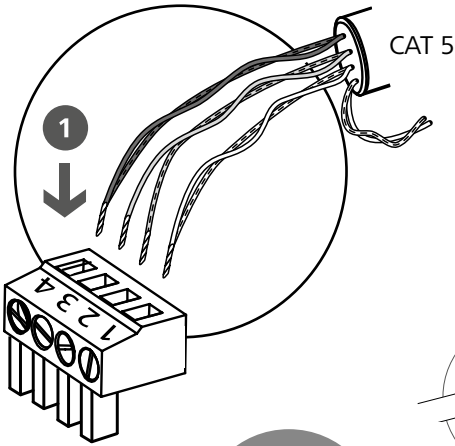
6



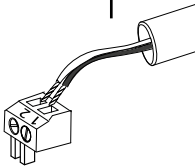
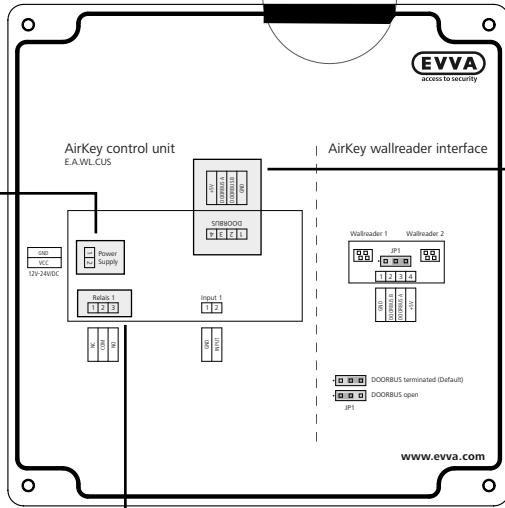
7



8



CHECK



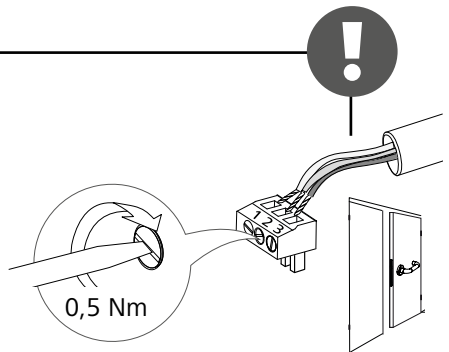
Option



E.ZU.WL.NT

|     |     |
|-----|-----|
| GND | VCC |
| 1   | 2   |

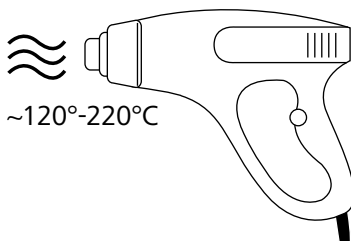
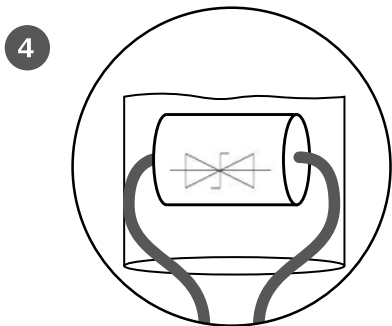
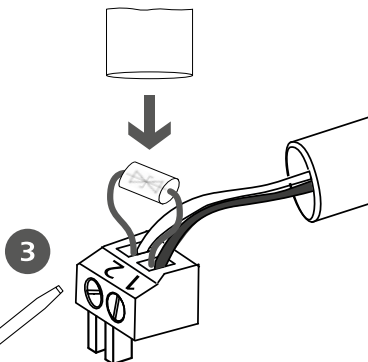
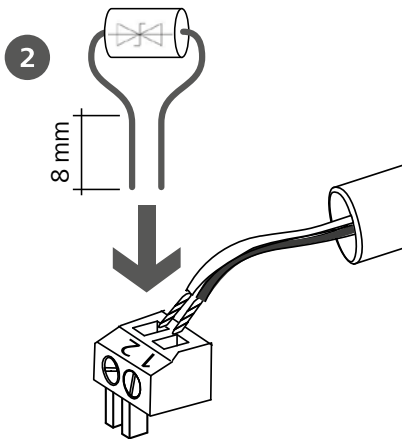
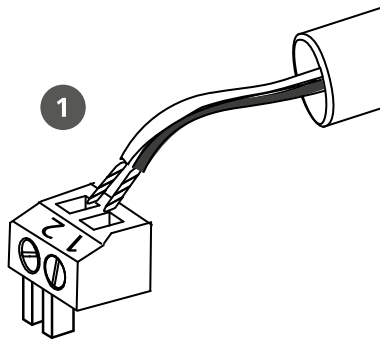
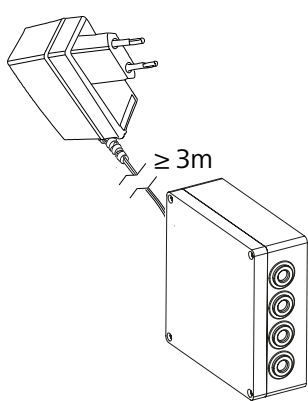
12V-24V/DC



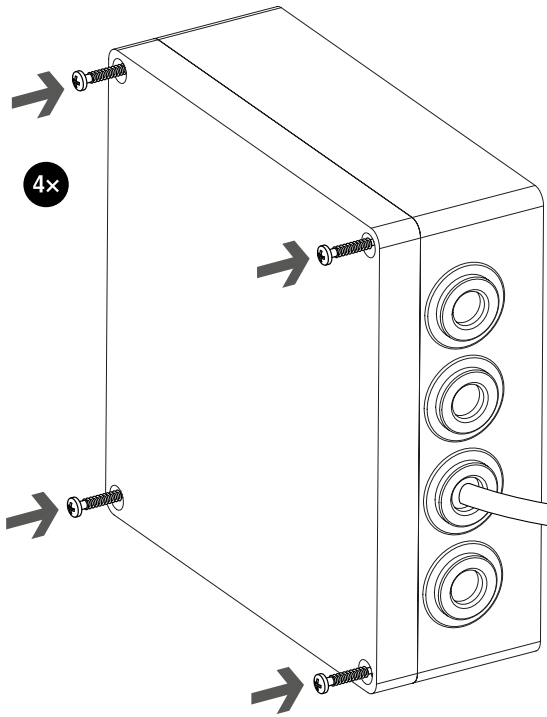




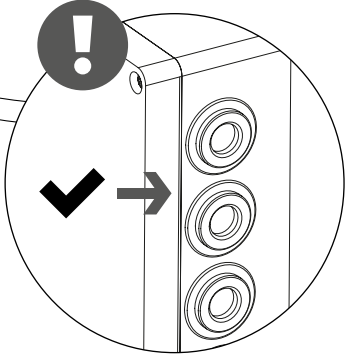
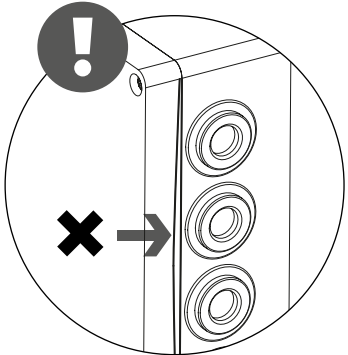
Option  $\geq 3m$



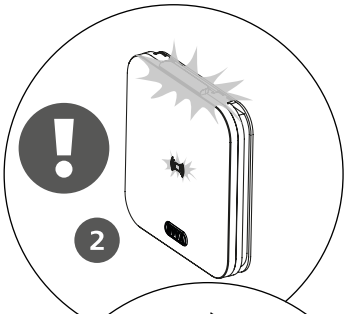
9



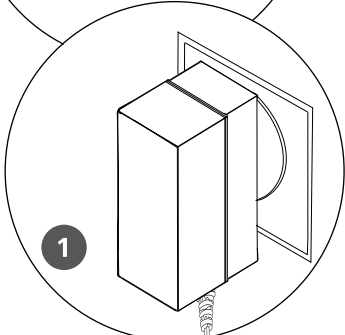
4x



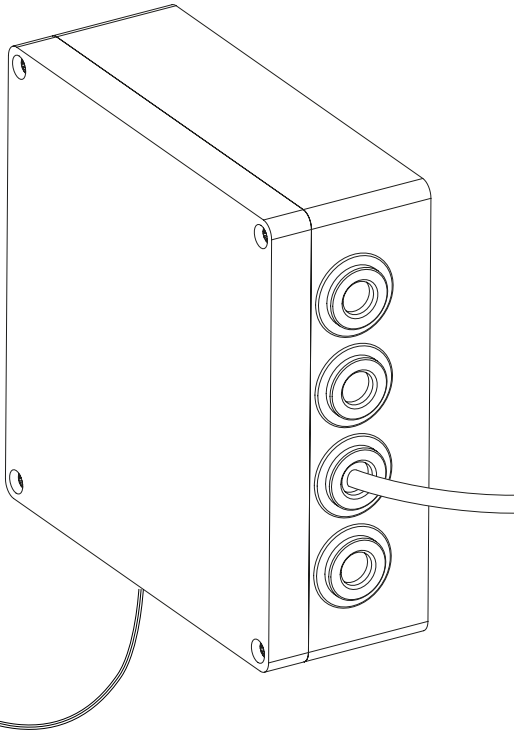
10



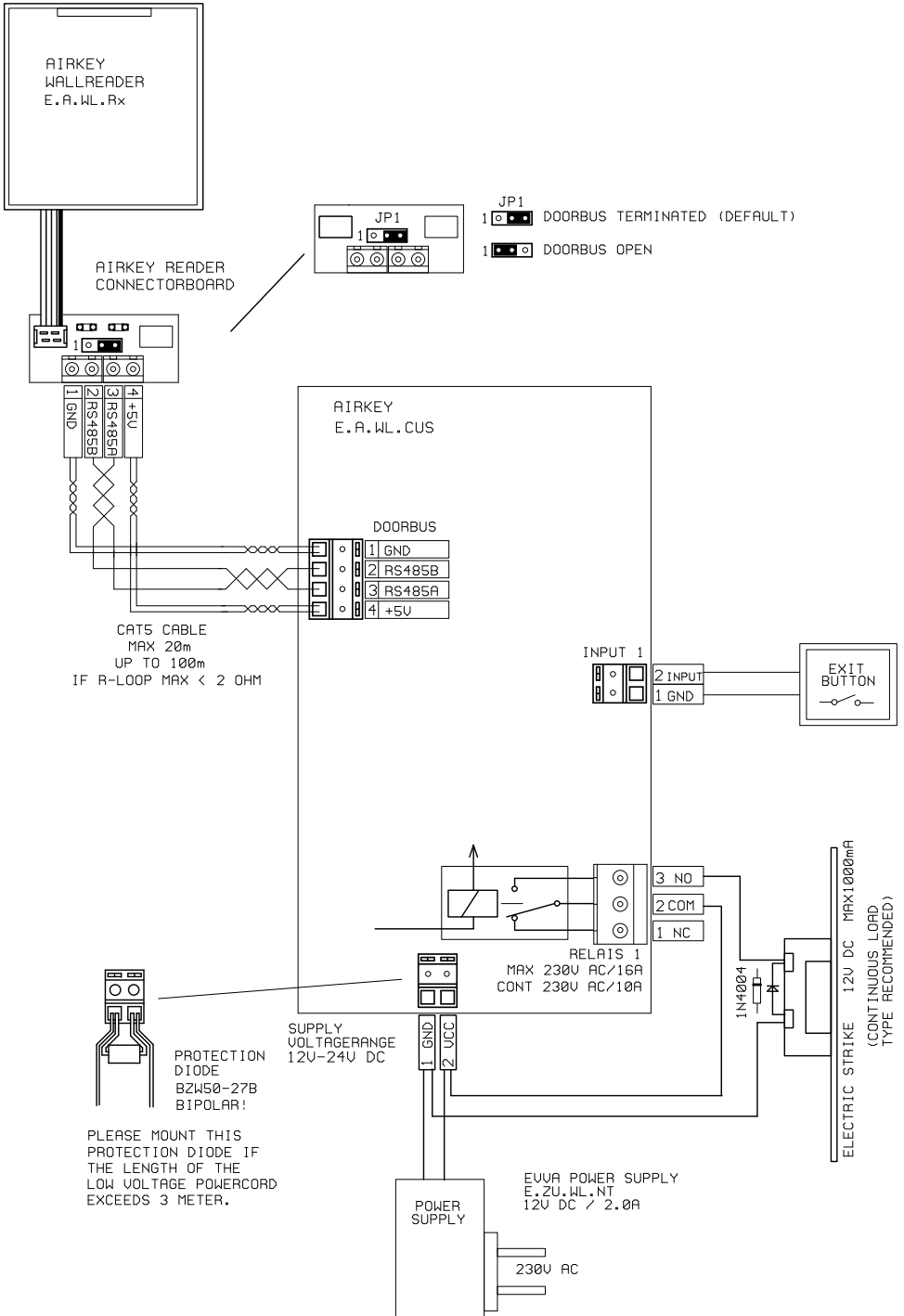
2



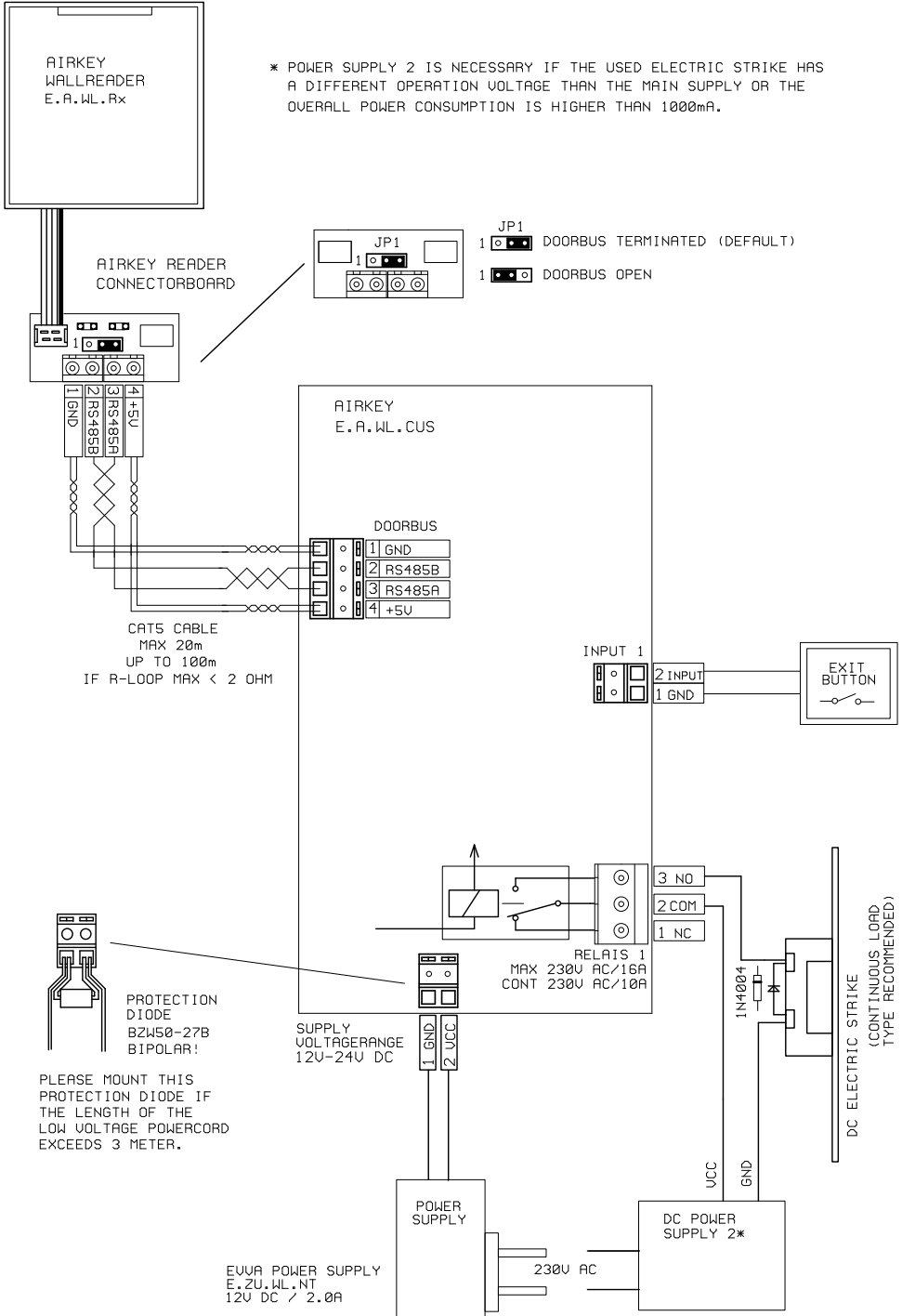
1



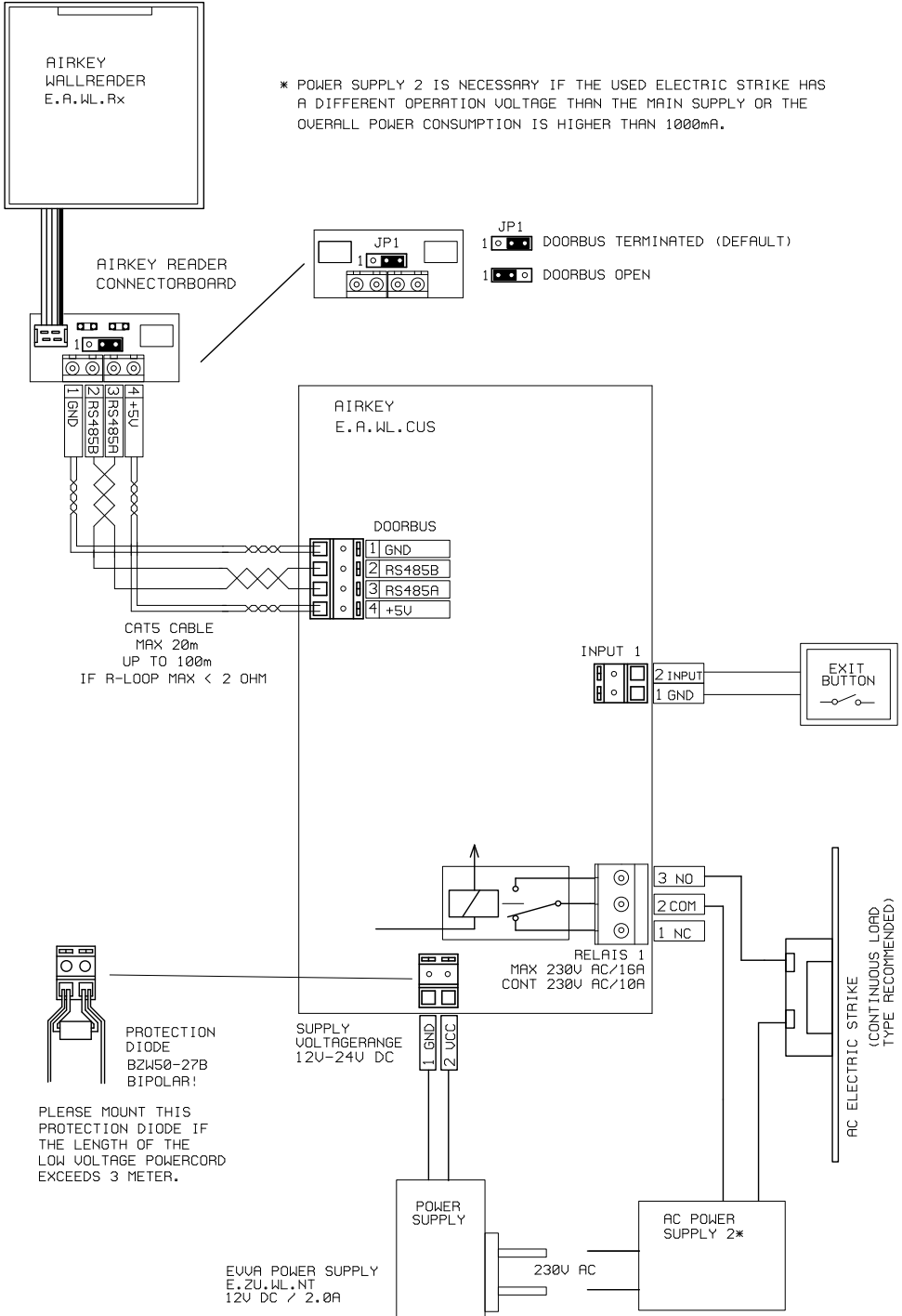
# 01 CONTROL UNIT WITH DC LOW CURRENT ELECTRIC STRIKE



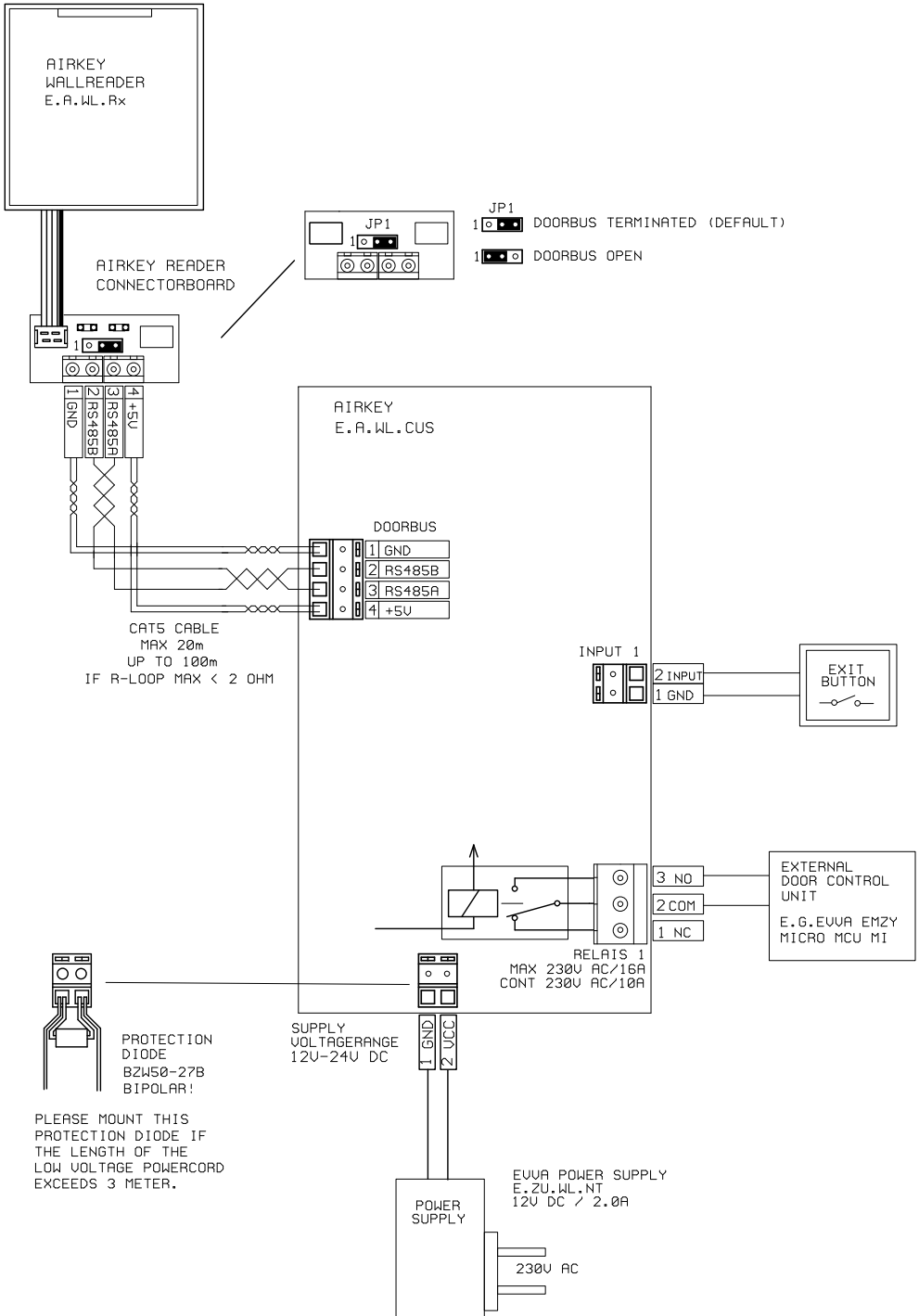
# 02 CONTROL UNIT WITH DC HIGH CURRENT ELECTRIC STRIKE



### 03 CONTROL UNIT WITH AC ELECTRIC STRIKE



# 04 CONTROL UNIT WITH EXTERNAL DOOR CONTROL UNIT





CE UK UK  
NI CA



**www.evva.com**

EVVA Sicherheitstechnologie GmbH | Wienerbergstraße 59-65 | A-1120 Wien