

EVVA
access to security



EVVA

Security from the heart of Europe



Innovator with a long tradition from the heart of Europe

For **decades**, EVVA has been a synonym for mechanical and electronic access systems that meet maximum technical standards. Established in **1919** as "Erfindungs-Versuchs-Verwertungs-Anstalt" (EVVA) in Vienna with a spirit that remains a vital part of our corporate philosophy to this day: we conduct our own research and development and we produce our innovative access systems in-house.

Run as a **family-owned business**, EVVA successfully operates at the top end of its industry: it has over 300 patents and is represented by offices in 10 European markets and distributors worldwide.

EVVA is the **reliable companion for customers, partners and staff**. We competently focus on customers to meet our targets and operate from the heart of Europe. In this process, we value respecting partnerships and a clear orientation towards our values.

*"As a family-owned company, we are
synonymous with excellent product
quality and reliable partnerships"*

Stefan Ehrlich-Adám, CEO
EVVA Sicherheitstechnologie GmbH



Reasons to choose EVVA



Innovation with tradition

A mechanical cylinder with timer function, an electronic access system that opens doors using smartphones, a motorised cylinder that locks automatically – the power of innovation is in EVVA's DNA and it has been that way for over a century.



Worldwide references

Hundreds of thousands of buildings have already been equipped with EVVA locking systems. More are used each day in all sectors and in all sizes.



Research and pioneering spirit

Like Gyro Gearloose, EVVA continuously demonstrates its ingenuity and technical expertise. The result is a steady flow of new innovative mechanical and electronic access systems.



A steady flow of patents

The first EVVA patent dates back to 1937. EVVA received it for a cylinder padlock. Since then, EVVA owns 300 patents and continues to develop a steady flow of new ones. The latest patent achievement: FPS and EPS



Strong partners

Our many partners are the extended arm of EVVA. They are our most important brand ambassadors, intimately familiar with our products, and competent in advising and installing.



Expertise developed since 1919

EVVA has been researching, developing and producing security technology since 1919. Excellent products, knowledge, experience and competence are the result.



EVVA is a green factory

100% green electricity

100% of the electricity at the headquarters in Vienna comes from renewable sources, primarily hydropower, and from the company's own photovoltaic system, which is Austria's largest commercial photovoltaic area. Our photovoltaics in Vienna cover approx. 5% of EVVA Vienna's electricity requirements and saves the environment 65 tonnes of CO2 emissions per year. EVVA also relies on solar energy in our subsidiaries in Italy, the Netherlands and the Czech Republic.

Clean production

We produce our cylinders and keys without oil, emulsions and water. A Clean Production machine produces completely dry and does not require any of the usual downstream washing processes of the production parts to clean them of oil. Metal chips can also be recycled immediately without any cleaning. EVVA has already won many sustainability awards for this sustainable innovation.

EVVA's metal chips are 100% recycled.

As a manufacturing company with a high material input and output, it is our declared environmental policy to use raw materials sparingly and to recycle them as far as possible. EVVA's recycling rate in relation to the overall material used is around 70%. Our metal chips, which are produced during the processing of EVVA cylinders, are 100% recycled – and have been for many decades! They are melted down by the supplier and returned in their entirety to the production process.

The three pillars of our sustainability

Sustainability at EVVA is supported on three pillars: Economy, Ecology and Employees & Social Affairs



Master key systems – we have the right combination for you

With decades of experience as a security provider, EVVA is familiar with the typical security requirements of organisations, planning every master key system according to the individual requirements defined by customers and users. Not only that, EVVA also has two premium systems – namely 4KS and MCS – to map out even the most complex locking systems.



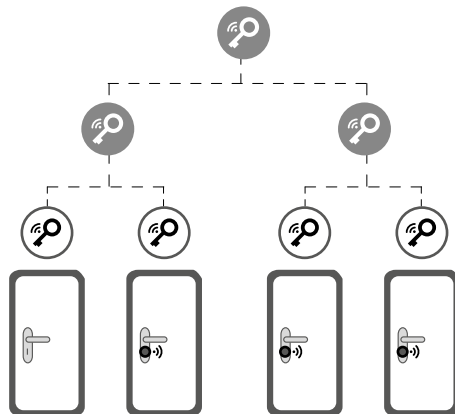
Your benefits at a glance

- › Simple organisation
- › Clear hierarchies
- › Better transparency
- › Lower costs



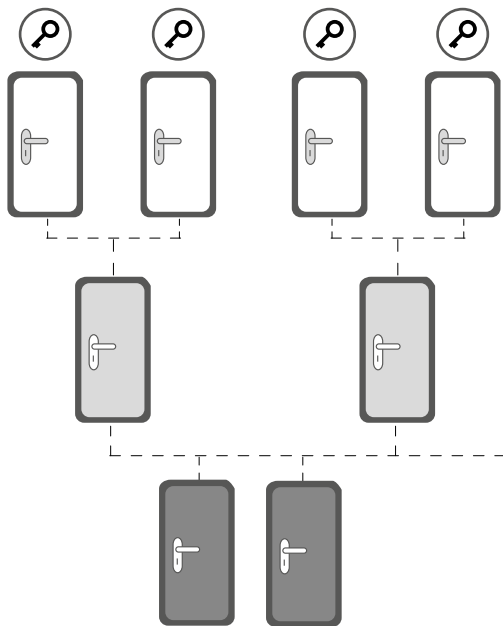
What is a master key system?

A master key system is a combination of cylinders and keys that perfectly reflects an organisational hierarchy. The major advantage of a master key system is the ability to lock and unlock several doors, mailboxes, lifts and cabinets in a building with a single key. This simplifies organisation, makes our key rings lighter and saves money.



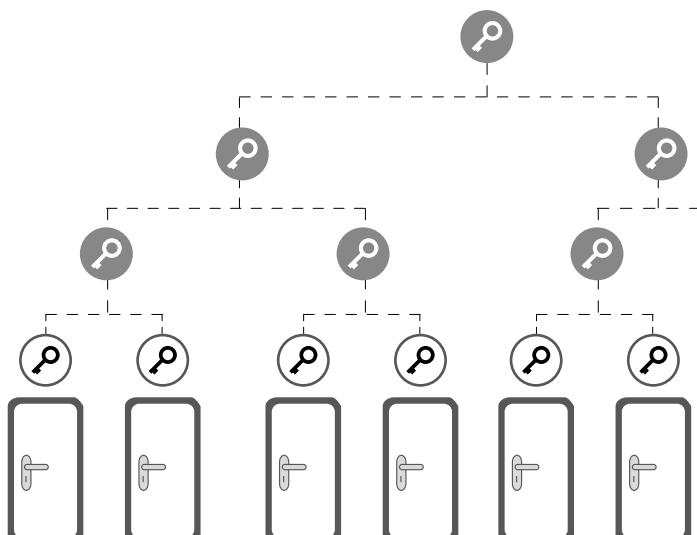
Combined master key system

The combined master key system combines mechanical and electronic components in a building. Electronic systems are primarily used on the perimeters of the building and where event logs and schedule-based access are important; interior doors are usually equipped with mechanical components. The combination key merges both worlds of security.



Master key system for residential buildings

The key feature of master key systems for residential buildings is that multiple individual keys can lock a central locking cylinder (e.g. the central access point or shared spaces). Residents cannot use their keys to gain access to any other residents' properties. It is also possible to integrate a technical key.



Master key system for organisations

The aim of a master key system for organisations is to replicate its organisational chart. With its high-performance, mechanical locking systems, EVVA can even replicate extremely complex organisational structures.

Welcome to EVVA's world of mechanical and electronic access systems

EVVA develops and produces individual solutions for mechanical, electronic and mechatronic access systems.



Mechanical masterpieces

Every single mechanical system is unique in terms of its technology and function. However, they all share one property: top brand quality.



New



Hybrid masterpiece

Electronic and mechanical elements combined in a single cylinder is something only EVVA can provide!



Xesar and AirKey – electronic masterpieces

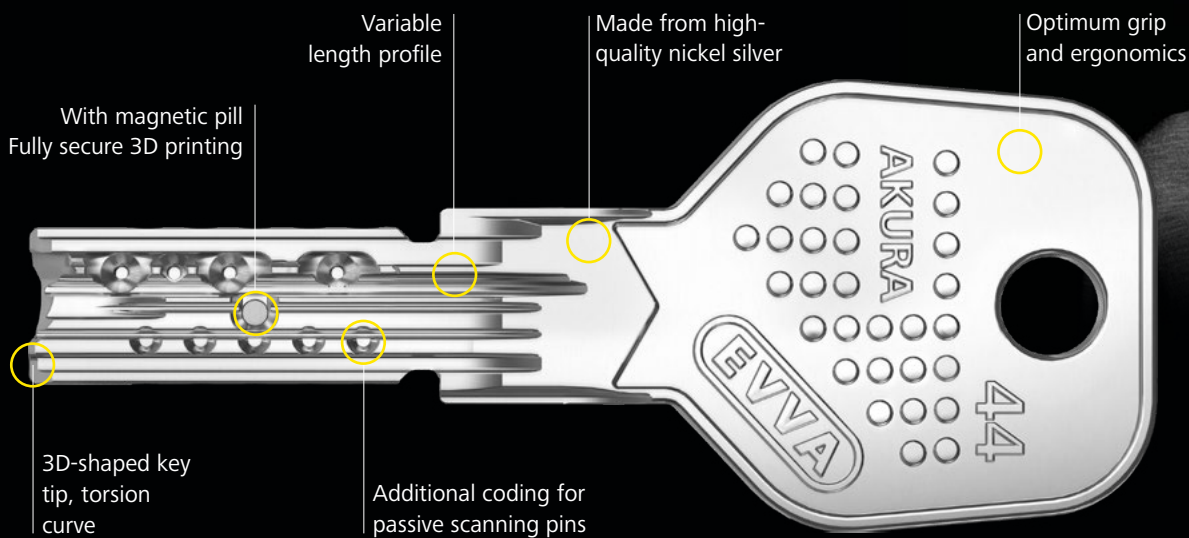
EVVA develops and produces innovative, electronic access systems.



Akura 44

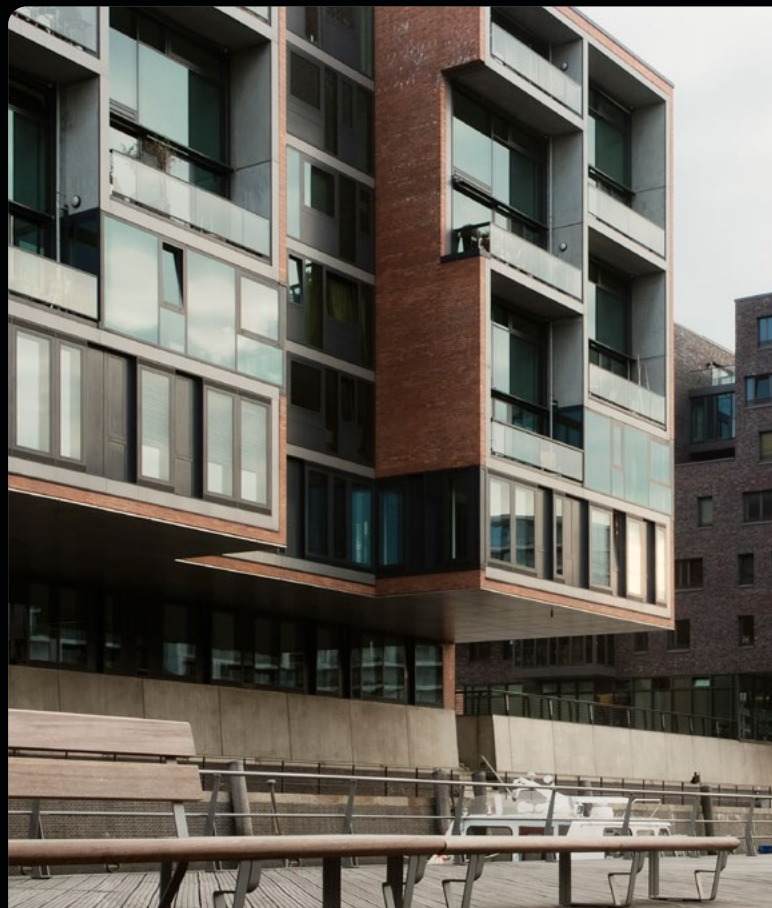
A new dimension of flexibility

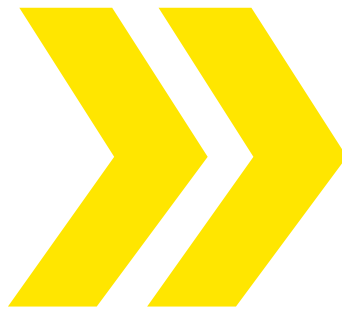
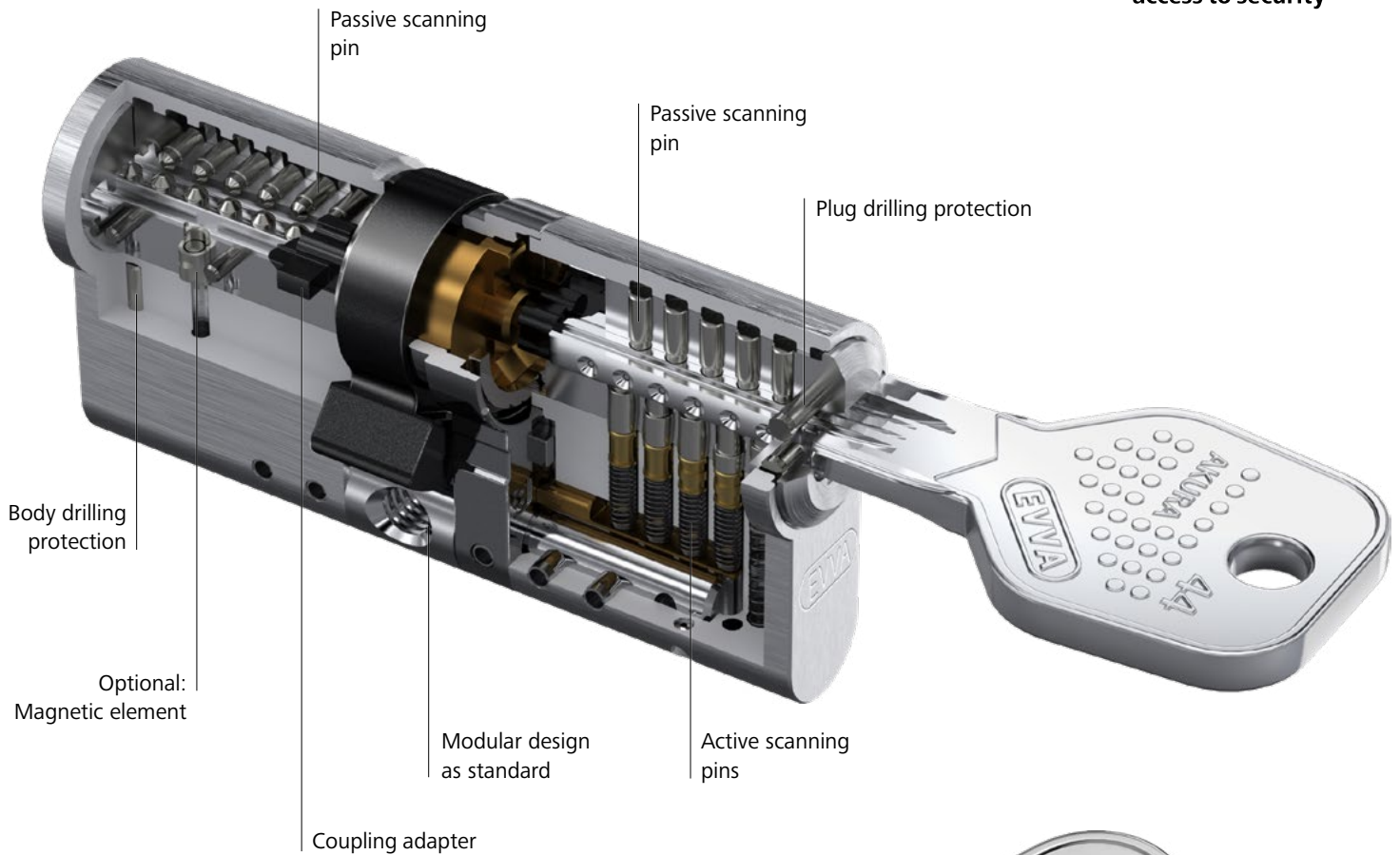
Akura 44 is the flexible reversible key system that impresses with its versatility. During development, particular attention was paid to ensuring that the diverse security requirements in a locking system can be covered flexibly with one locking system. For example, the security level can be varied within a system. This is made possible by the optional copy protection using magnetic technology.



Akura 44. One system, many details

The authorisation check on Akura 44 cylinders occurs in several levels simultaneously, namely through the combination of a variable length profile, 6 active and up to 10 passive scanning pins, which also extend the calculation capacities. Optional magnetic copying protection secures sensitive areas if required and makes it difficult to copy the key and manipulate the cylinder.





Benefits of Akura 44 at a glance

- › Optional key copying protection
- › Wide cylinder range
- › For well-structured master key systems
- › Patent protection until 2037 at the latest*



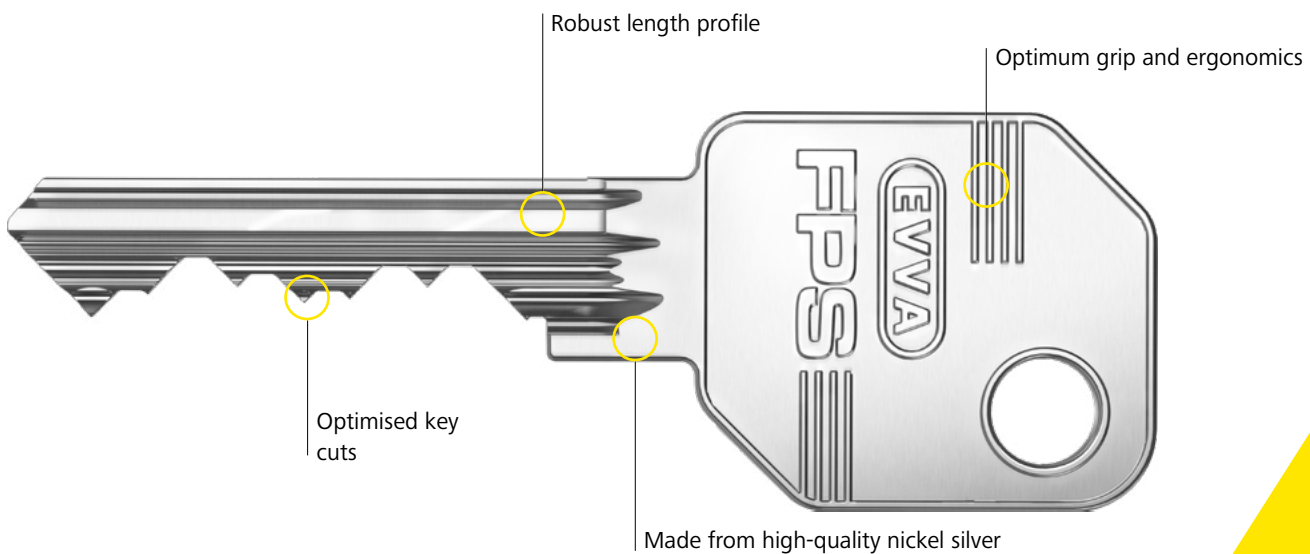
*according to EP3526429. For country-specific patent protection, see worldwide.espacenet.com



FPS

Branded quality at the best price

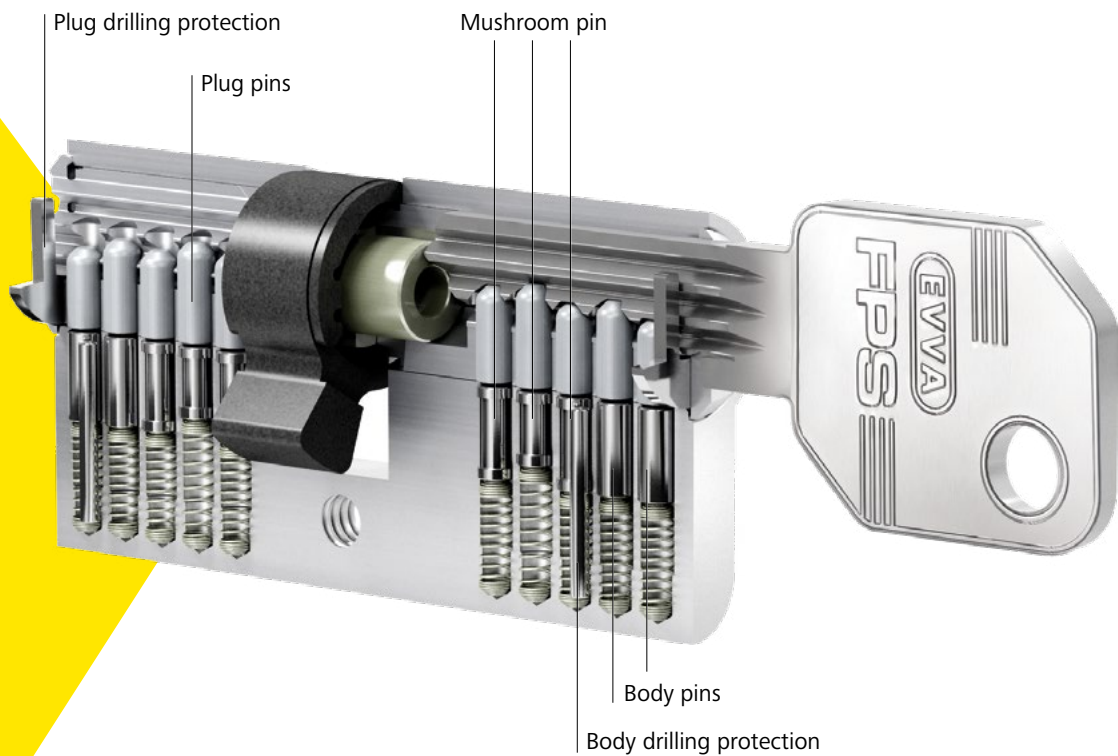
FPS provides an excellent and decent level of security and reliable comfort. FPS is suitable for master key systems with a more simple structure. Why opt for a master key system? Access all doors using only a single key – main entrance, front door, basement, letter box. The FPS key is also available as design key in various colours.



FPS. One system, many details

FPS features a pin tumbler system with 5 or 6 active, spring-loaded scanning elements. FPS keys are strong, wear-resistant and durable, nickel silver keys. The authorisation features on FPS keys are verified at two levels in the cylinder lock. FPS cylinders are exclusively manufactured in compact design.





FPS benefits at a glance

- › One key fits all
- › For master key systems with a clear structure
- › Branded quality
- › Patent protection until 2041 at the latest*



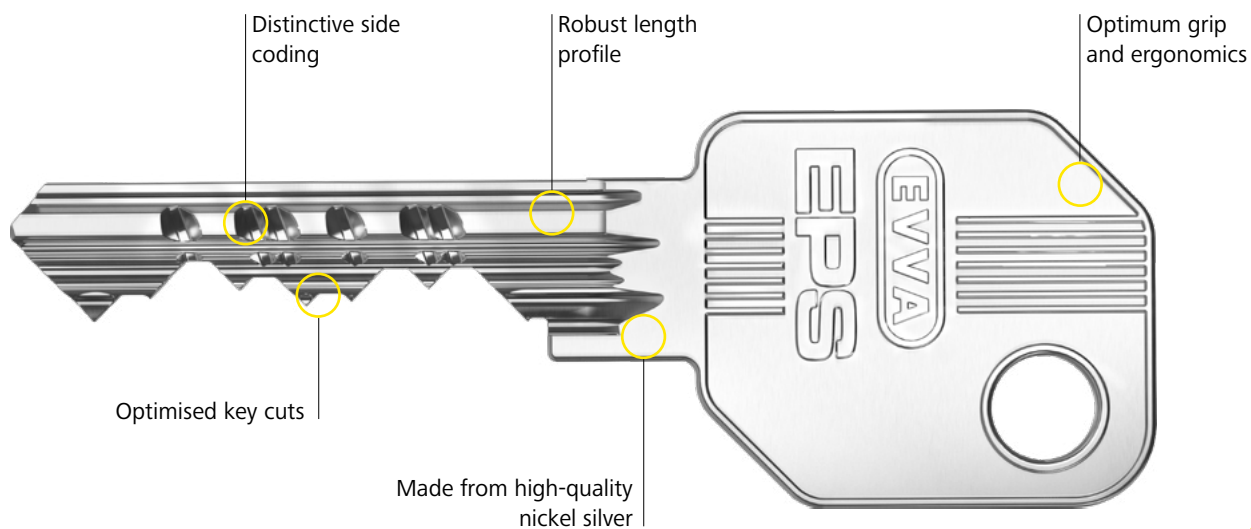
*according to EP3942127. All individual profiles in the FPS system newly created from April 2021 and all FPS factory profiles ordered from April 2021 onwards will technically comply with this new European patent and feature the new design on the key bow. For country-specific patent protection, see worldwide.espacenet.com



EPS

Best pin systems

EPS reliably protects private houses and is also very popular in clearly structured master key systems in office buildings, catering facilities or residential developments. EPS is the successful result of the continuous development of tried and tested EVVA pin systems. High levels of user convenience and the system's durability make the system the best pin system.

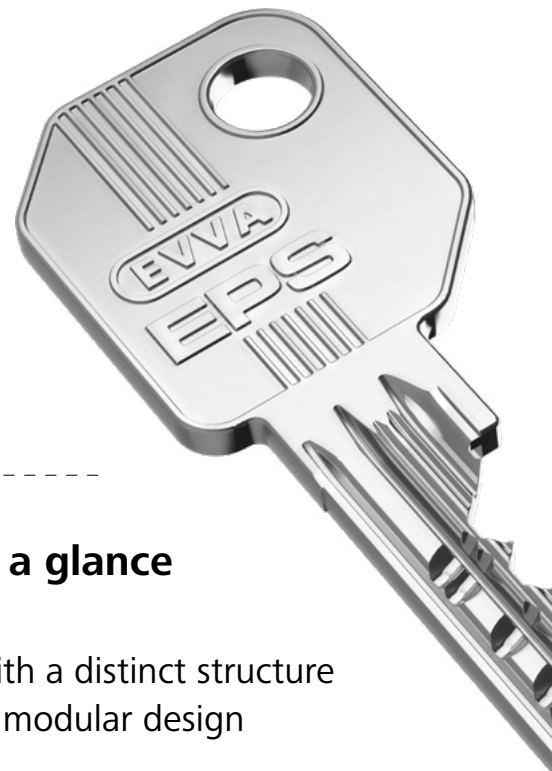
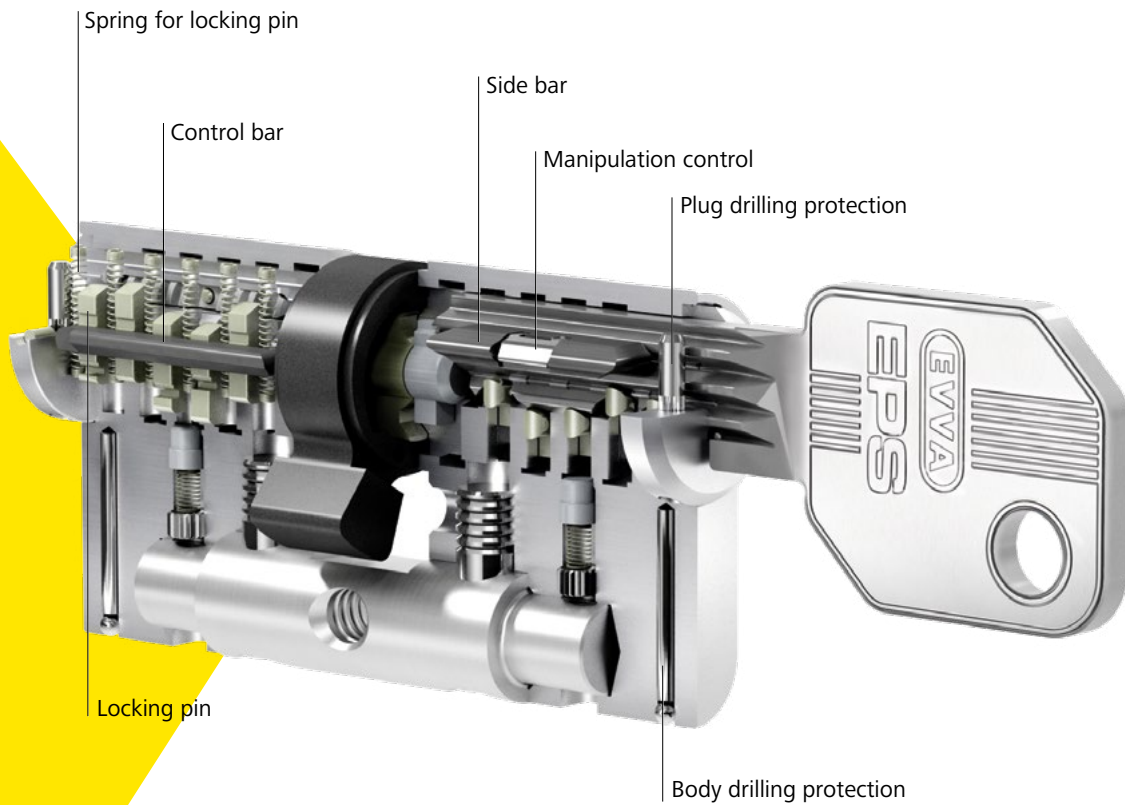


EPS. One system, many details

EPS is a pin tumbler system with 5 or 6 active spring-loaded scanning pins; it offers up to 20 additional side coding variations. The keys' integrated tampering control within the cylinder and the dual-action locking pins offer a high level of security.

EPS keys are strong, nickel silver key with large key cross-sections. EPS cylinders are available in compact and modular design.





The benefits of EPS at a glance

- › One key fits all
- › For master key systems with a distinct structure
- › Quick assembly thanks to modular design
- › Patented system

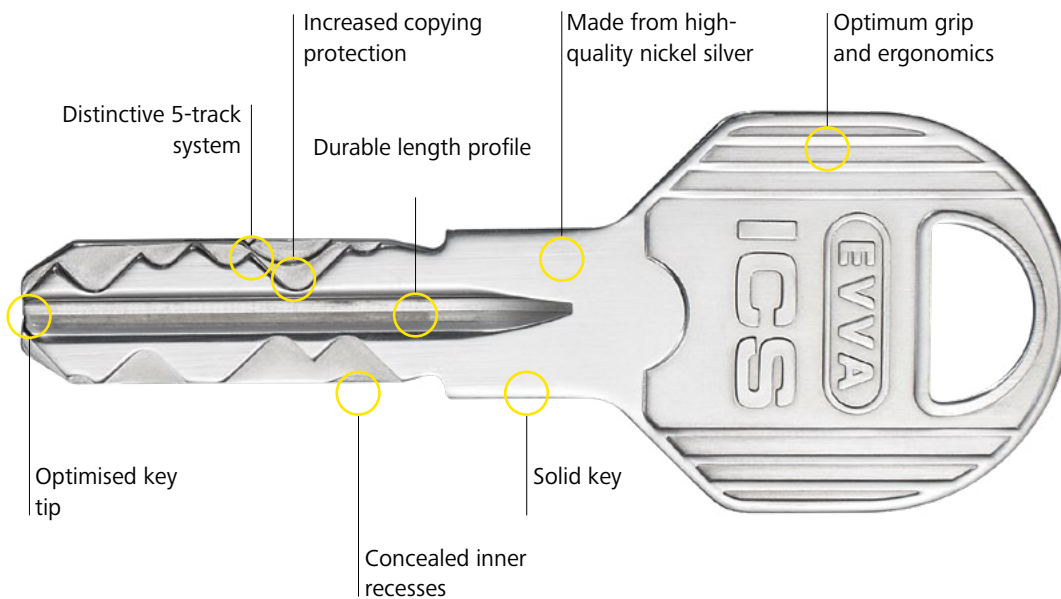


*according to EP3942127. All individual profiles in the EPS system newly created from April 2021 and all EPS factory profiles ordered from April 2021 onwards will technically comply with this new European patent and feature the new design on the key bow. For country-specific patent protection, see worldwide.espacenet.com

ICS

Strong and reliable

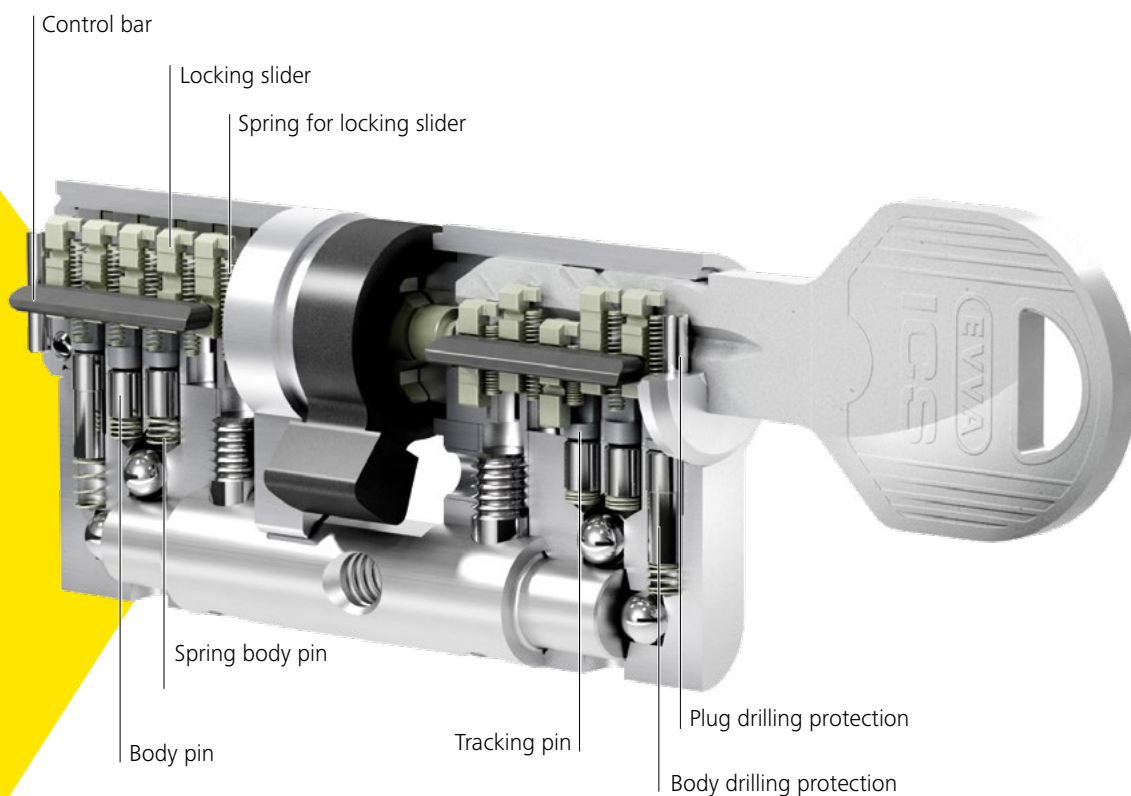
Thanks to ICS you boost the convenience of your system, can rely on planing and investment security as well as the durability and long service life of the system. ICS is a durable, reversible key system with such extraordinary levels of calculation features that master key systems can be planned ahead to take into account potential extensions. Be it office buildings, schools or student residences, ICS will convince you.



ICS. One system, many details

ICS offers different locking technologies for high levels of protection: durable length profile and distinctive track system with internal recesses. The scanning takes place in 5 tracks through 13 spring-loaded locking elements and the durable length profile. As a reversible key, ICS's thickness of 3 mm and the high-quality nickel silver alloy make it convenient, durable and resistant to wear.





ICS benefits at a glance

- › Increased copying protection
- › For locking systems with a complex structure
- › High levels of protection against burglary
- › Patent protection pending*

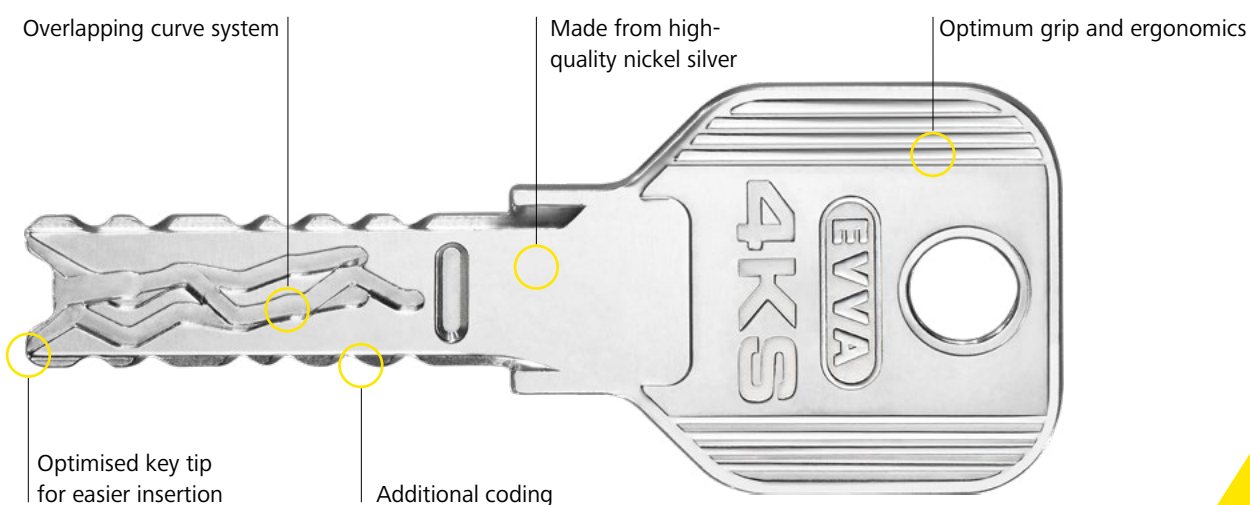


*if granted, protection until 2038 at the latest in accordance with EP3610103. For country-specific patent protection, see worldwide.espacenet.com

4KS

More robust. Stronger. More secure

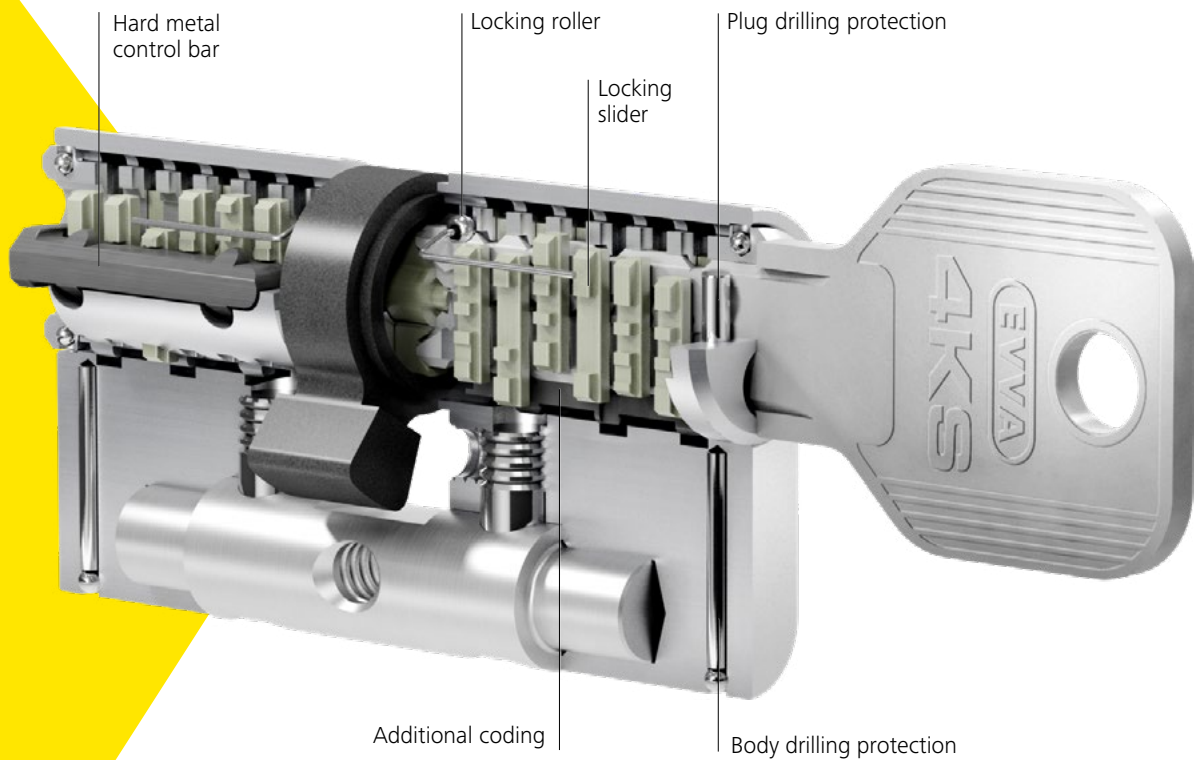
You can always rely on 4KS. Thanks to its high levels of resistance the system also locks and unlocks in the toughest conditions. Even after years, it works like on the first day. This makes 4KS your first choice for the toughest conditions – at high altitudes or in production facilities subject to high amounts of dirt. And not just that. 4KS also provides excellent calculation features to even implement highly complex master key systems.



4KS. One system, many details

In contrast to other master key systems, the locking elements in 4KS cylinders slide along the curve key cuts on the key. A total of 12 springless, massive locking pins are brought into a specific position via positive control of the 6 key curves and scanned by 2 control bars. As a result of the key's overlapping curve key cut it is virtually tamper-proof.





The benefits of 4KS at a glance

- › Resistant and extremely durable
- › For master key systems with a highly complex structure
- › Springless technology
- › Patent protection until 2037 at the latest*

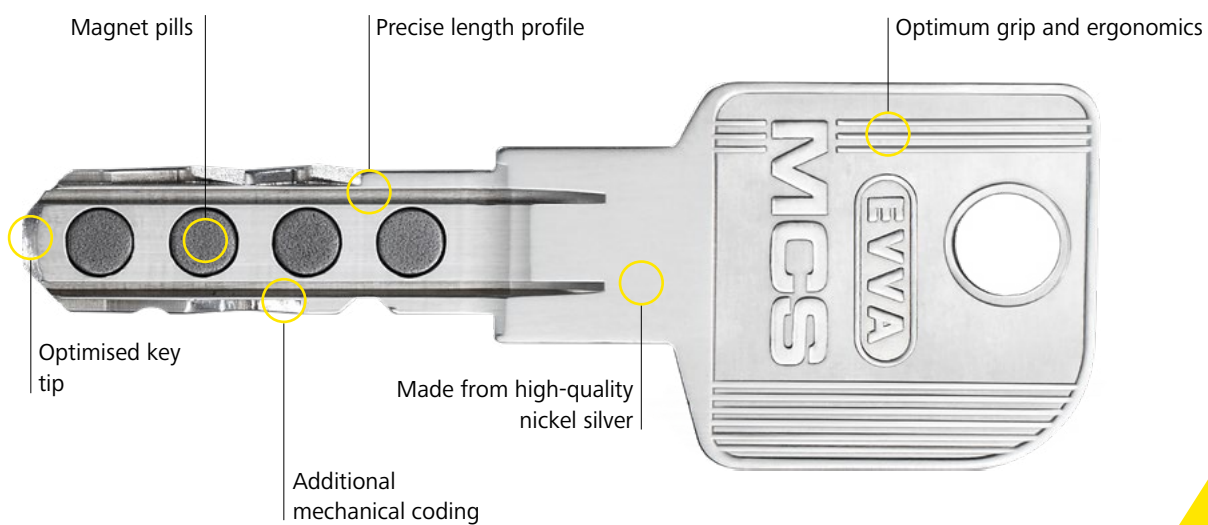


*according to EP3426865. For country-specific patent protection, see worldwide.espacenet.com

MCS

100% copying protection

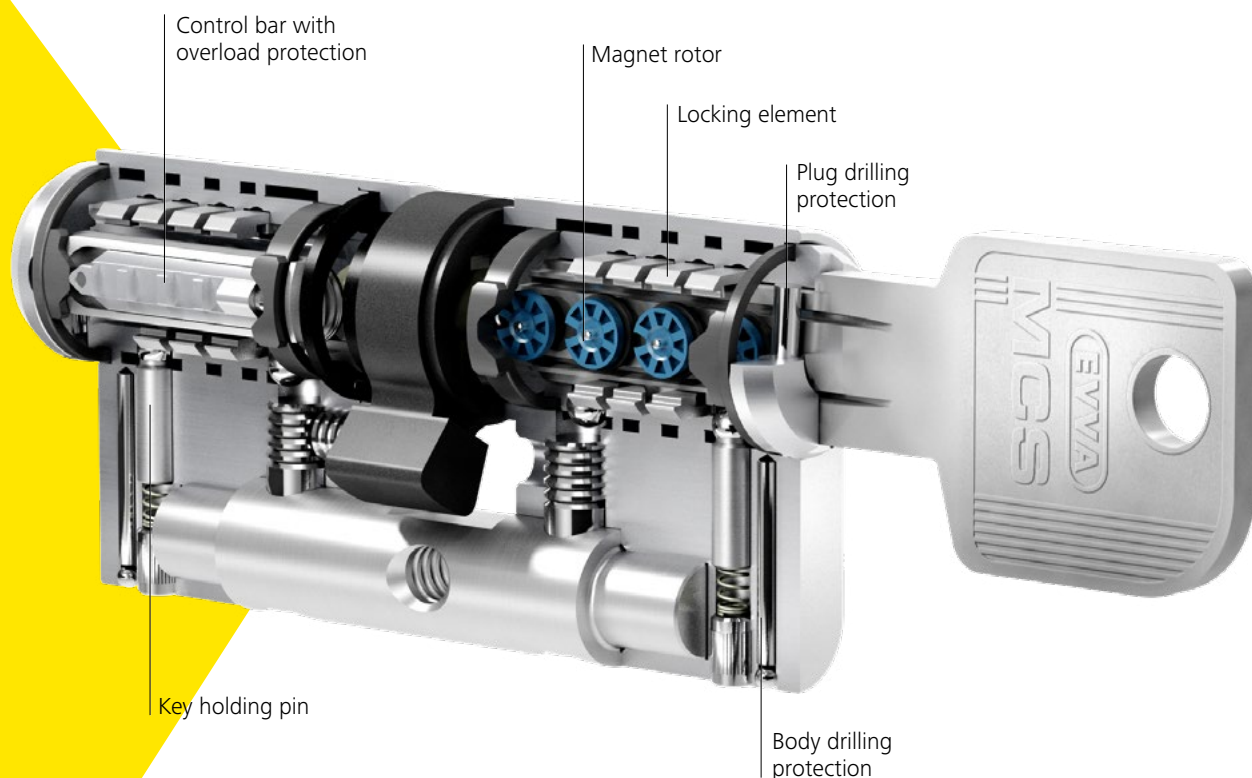
Thanks to unique MCS security, MCS master key system operators need not worry about any issues. This is firstly down to the 100% key copying protection and secondly, a result of the system's vast master keying potential. Capacity reserves can already be integrated when planning the master key system. Consequently, your facility can continue to grow and MCS grows with it.



MCS. One system, many details

The MCS cylinder contains eight freely rotating magnet rotors to the left and right of the keyway and each one is assigned to one of the four magnet pills on MCS keys. The magnet rotors are brought into a locking position using keys with access authorisations. Additional mechanical locking elements grant permission to unlock the cylinder. MCS keys combine no less than two technologies for triple security: one magnetic and two mechanical encoding features.





MCS benefits at a glance

- › Cannot be reproduced by 3D printers
- › For master key systems with a complex structure
- › High levels of protection against burglary
- › Patent protection until 2035 at the latest*

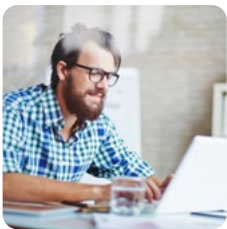


AirKey

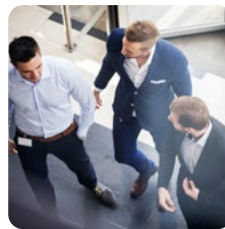
Simply smart

With AirKey the smartphone is the key. It increases your levels of security, flexibility and gives you full control over your doors. But what do you need? An AirKey cylinder, a smartphone as well as Internet access and you will be able to send your keys by text message (SMS) and manage your master key system online. Well, if that's not smart!

Top software features



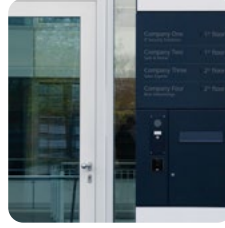
Send a key



Office mode



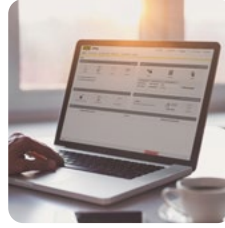
Geotagging



Component sharing



**Interface
AirKey Cloud Interface**

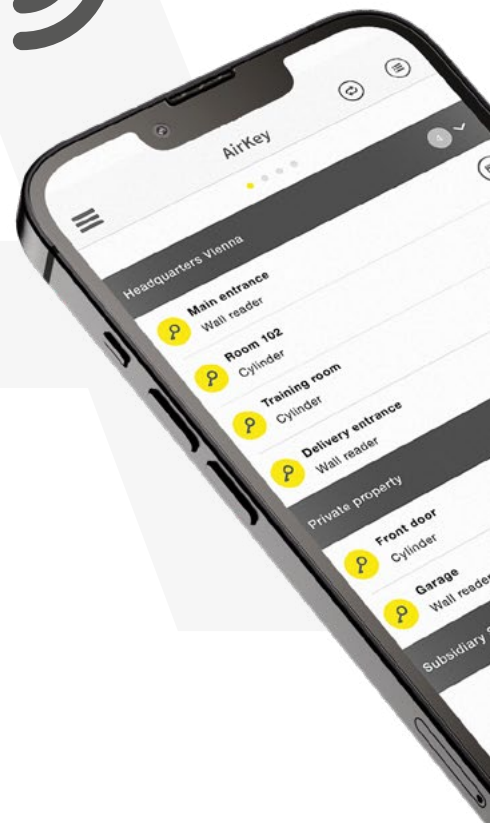


**Multi-
administration**

AirKey. Just as dynamic as customers' needs

AirKey is the electronic locking system for a new, mobile generation and comes as a response to the dynamics of modern working worlds as well as our private lives. Flexibly send keys to smartphones via the Internet and benefit from maximum security standards and many smart software features.





AirKey benefits at a glance

- › Send keys via the Internet
- › Free app and online administration
- › For small and complex master key systems
- › Maximum data security



AirKey meets EU Data Protection Directive

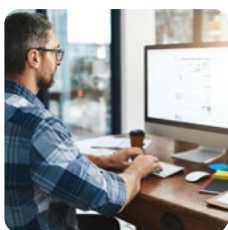


Xesar

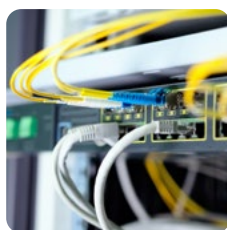
Simply versatile

Control, security and flexibility merged in an innovative, electronic locking system – that's Xesar. Be it residential developments, educational facilities or office buildings, Xesar is simple and secure to manage. You determine whether to manage the system within a locally installed network or via the cloud.

Top software features



**Improved overview
on the dashboard**



**Versatile solutions
thanks to interface
possibilities**



**More flexibility
thanks to multi-user
operation**



**Individuality on
the dashboard**



**Convenience thanks
to online wall readers**



Send a Key

Xesar. One system, many options

Xesar is suitable for minor or major challenges and grows with your system. You only have to install Xesar on one computer, but could also run it on a server make it available to many computers via the cloud. As you can see, Xesar is simply versatile.





Xesar benefits at a glance

- › Multi-user operation with user roles
- › Multiple products available for selection
- › Appealing payment models
- › Send a Key



AirKey meets EU Data Protection Directive



EMZY

Simply automatic

Want to guarantee that certain external and internal doors reliably lock and unlocked at a certain time of day? Perhaps the entrance door to a shared office should be permanently open during office hours, but reliably locked afterwards? Then EMZY by EVVA, the electronic motorised cylinder, is the right choice for you.



EMZY at a glance

- › Controlled locking and release
- › Easy retrofitting
- › Simple configuration via app
- › Interface to third-party systems



Simple configuration via app

EMZY is put into operation after installation with the configuration app. During commissioning, EMZY learns the lock and door parameters and adjusts its torque accordingly.





Hybrid cylinder

Xesar and AirKey meet mechanical locking systems

Hybrid cylinders provide many new application options. Electronic components on the inside and mechanical elements on the outside or vice versa, we configure the system as required on site. Your benefits: increased burglary protection and quick access in emergencies. EVVA combi keys merge both worlds.



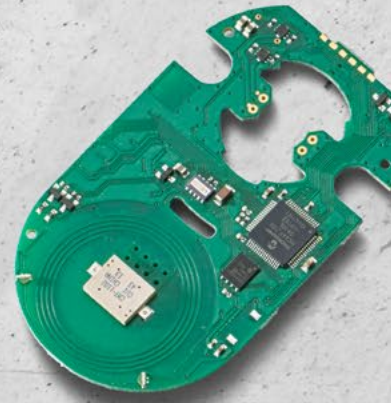
Hybrid cylinders at a glance

- › Mechanical and electronic systems combined in one cylinder
 - › Suitable for combination with all current modular, mechanical systems
 - › Quick and simple conversion of mechanical locking systems to hybrid locking systems featuring electronic components
-



A cylinder for every country

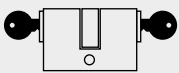
EVVA not only provides a range of country-specific cylinder types, but also a variety of cylinders within a single system. In some systems this can exceed well over a hundred. Consequently, it is possible to realise master key systems from the entrance door to the cabinets with a single system.



An option for each cylinder

EVVA can offer a number of options for any access system. Options make our naturally secure EVVA cylinders even more secure. We would like to introduce you to six options here you cannot afford to miss. Would you like more information? Ask an EVVA consultant!

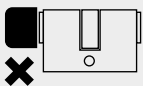
BSZ



BSZ – double cylinder with external key override

Ideal in hazardous situations. Enables the cylinder lock to be unlocked even when an authorised key has been inserted on the opposite side. The system also prevents authorised users from accidentally locking themselves out with the key inserted on the other side.

CLA



CLA – classroom function

For doors with thumbturn cylinders that should not be locked using the thumbturn. For instance, in classrooms. You can open the door from the inside using the thumbturn, but you can't lock it. The key on the outside features a priority function that can also operate the cylinder if the thumbturn on the inside has been blocked.

SW



SW-[A, I, B] – protection against dust and weather influence

For applications in exposed locations and very dirty environments. Locking elements protect the keyway from contamination.

VAR



VAR – VARIO re-coding function

If you need to immediately restore security. If keys are lost or stolen, the cylinder can easily be recoded with a special key (VARIO-B key). This way, the system security can immediately be restored.

WC



WC – WC function

Thumbturn cylinder with red and white "Occupied" indicator. For use in WC doors. Can be opened from the outside in emergencies using a flat object.

Z



Z[...] – cogwheel cam [number of teeth]

These special cams are designed for cylinders used in multi-point locks, locking bars or special mortise locks.

International reputation

EVVA access systems make the lives of people around the world simpler, more convenient and more secure. Here's is a selection from our worldwide reference projects.



Technopark Raaba | AT
Xesar + 3KSplus



Vienna Airport, Skylink | AT
MCS



Primetower | CH
ICS



National Museum of Technology | CZ
EPS



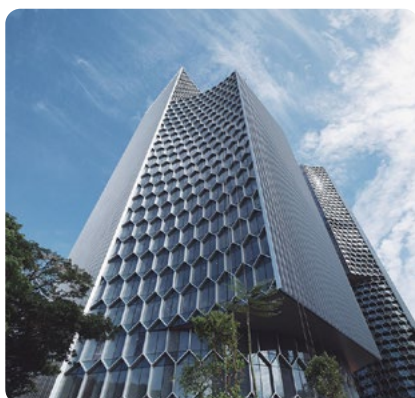
Galeria Baltycka | PL
3KSplus



Slovenian Central Bank | SLO
EPS



China Unicom | HK
ICS



The DUO | SG
EPS



Beak Serviced Apartment | HK
AirKey



Warner Brothers Filmstudios | GB
EPS



Agios-Andreas General Hospital Patras | GR
EPS



Burgos conference centre | ES
ICS



Curtin University | AUS
3KSpus



Newcastle Port | AUS
3KSpus



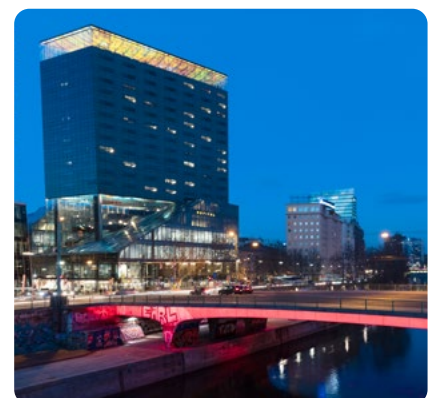
Sopruse Pst 33 residential facility | EST
ICS



Kaprun Glacier Railways | AT
Xesar



Skibbroen | DK
EPS



weXelerate | AT
AirKey

Unique EVVA service

Since 1919, EVVA services have been geared towards customer benefits. This has resulted in market-based products, the best product and consulting service for customers and partners as well as a master key system expertise that boosts customer convenience and gives operators a competitive, economic edge.



Locking systems from professionals

Master key systems define who has access to which facilities. EVVA not only offers comprehensive expertise in planning master key systems, but the company's range also includes high-performance access systems able to illustrate any level of complex authorisation structures.



Your EVVA Partner portal

Our Partner portal provides everything you as EVVA Partners need as part of your everyday activities: price lists, catalogues, data sheets and the option to sign up to training sessions.



Mechanical and electronic range

EVVA is one of the leading manufacturers that develops and produces electronic and mechanical locking systems in Vienna. EVVA's electronic and mechanical products can be combined in locking systems around the world depending on customer demands.



Excellent advice

EVVA is your reliable partner. Be it for technical queries concerning EVVA products or planning issues regarding a project, you can always count on EVVA.

Innovation made in Austria

Trust a family-owned business that has been researching, developing and producing for 100 years and operates in a respectful and cooperative way. EVVA – European leaders in mechanical and electronic access systems!

www.evva.com