

## **AirKey Release Notes 31 October 2024**

The AirKey system has been enhanced with new features and existing ones improved to offer you the best possible service and a high-quality product. For this purpose, we are releasing a new version of the AirKey system.

### **What is new?**

From 31 October 2024, the following functions and improvements of the AirKey system will be available:

#### **AirKey app 3.1.2 for Android**

- General improvements and bug fixes

### **What is required to use the new functions?**

The following components of the AirKey system must be updated so that the described functions can be used:

- **AirKey app** for Android available in Google Play Store

The AirKey team from EVVA wishes you lots of fun with the new functions and improvements of AirKey!

## **AirKey Release Notes 24 September 2024**

The AirKey system has been enhanced with new features and existing ones improved to offer you the best possible service and a high-quality product. For this purpose, we are releasing a new version of the AirKey system.

### **What is new?**

From 24 September 2024, the following functions and improvements of the AirKey system will be available:

#### **AirKey app 1.19.2 (175) for iOS**

- General improvements and bug fixes

### **What is required to use the new functions?**

The following components of the AirKey system must be updated so that the described functions can be used:

- **AirKey app** for iOS available in Apple App Store

The AirKey team from EVVA wishes you lots of fun with the new functions and improvements of AirKey!

## **AirKey Release Notes 17 July 2024**

The AirKey system has been enhanced with new features and existing ones improved to offer you the best possible service and a high-quality product. For this purpose, we are releasing a new version of the AirKey system.

### **What is new?**

From 17 July 2024, the following functions and improvements of the AirKey system will be available:

#### **AirKey app 1.19.1 (173) for iOS**

- General improvements and bug fixes

### **What is required to use the new functions?**

The following components of the AirKey system must be updated so that the described functions can be used:

- **AirKey app** for iOS available in Apple App Store

The AirKey team from EVVA wishes you lots of fun with the new functions and improvements of AirKey!

## AirKey Release Notes 19 June 2024

The AirKey system has been enhanced with new features and existing ones improved to offer you the best possible service and a high-quality product. For this purpose, we are releasing a new version of the AirKey system.

### What is new?

From 19 June 2024, the following functions and improvements of the AirKey system will be available:

#### AirKey online administration

- "Send a Key" now works either via SMS or e-mail.
- The confirmation code for login via two-factor authentication (2FA) can be sent either via SMS or e-mail.
- AirKey now meets the requirements of the European Data Act. It is now possible to read out all your own data in real time and continuously via the AirKey Cloud Interface (API).
- E-mail notifications can be sent to administrators for smartphone replacement requests that need to be confirmed.
- Optimised performance
- General improvements and bug fixes

#### AirKey app 3.1.0 for Android

- Optimised performance
- General improvements and bug fixes

#### AirKey app 1.19.0 (172) for iOS

- Optimised performance
- General improvements and bug fixes

### What is required to use the new functions?

The following components of the AirKey system must be updated so that the described functions can be used:

- **AirKey app** for Android available in Google Play Store
- **AirKey app** for iOS available in Apple App Store

The **AirKey online administration** will be updated automatically.

If you are using an optional coding station, install and restart the **coding station application** to use the latest update (<https://airkey.evva.com/smkrest/jnlp/newest-jar-file/>).

For changes relating to the **AirKey Cloud Interface**, please directly consult the [API documentation](#).

The AirKey team from EVVA wishes you lots of fun with the new functions and improvements of AirKey!

## **AirKey Release Notes 19 February 2024**

The AirKey system has been enhanced with new features and existing ones improved to offer you the best possible service and a high-quality product. For this purpose, we are releasing a new version of the AirKey system.

### **What is new?**

From 19 February 2024, the following functions and improvements of the AirKey system will be available:

#### **Firmware 6.20 for Bluetooth wall readers**

- General improvements and bug fixes

### **What is required to use the new features?**

All components within the AirKey system must be up to date to be able to use the features described in the release notes.

- **Firmware** for Bluetooth wall readers

The AirKey team from EVVA wishes you lots of fun with the new functions and improvements of AirKey!

## AirKey Release Notes 20 October 2023

The AirKey system has been enhanced with new features and existing ones improved to offer you the best possible service and a high-quality product. For this purpose, we are releasing a new version of the AirKey system.

### What is new?

From 20 October 2023, the following functions and improvements of the AirKey system will be available:

#### AirKey online administration

- Relocation to a new data centre with ISO 27001 certification
- Enhanced security and encryption (from ECDSA-224 to ECDSA-256)
- Improved AirKey system performance thanks to active/active configuration
- Faster loading times and faster data exporting
- Number of persons, smartphones, etc. displayed on the AirKey Online Administration start screen
- Event logs are shown for one month only by default. Older event logs can also be displayed by selecting a different time period (maximum 1 year).
- Easier card replacement: The AirKey authorisations and settings of an old card are transferred to a new card.
- The "Update after a Bluetooth unlocking with a smartphone" function can be deactivated completely. This option is required for special applications in which disconnections may occur more frequently (e.g. when unlocking a locking component from car).
- Optimised blacklist: Cleans itself when authorisations for locking components have expired.
- Locking component settings can now also be made via the API. For more information, see the [API documentation](#).
- Only locking components with the latest firmware (with Java Card Applet 8.5+) can be added to newly created access control systems.
- PDF documents (handover confirmation and list of maintenance tasks): The translations have been improved.
- Context menu of coding station application: The translations have been improved.
- Preparations have been made for new electronic hardware for cylinders and wall readers with EAL6+ certified Secure Element (SmartXM3).
- Preparations have been made for a new electronic module for Bluetooth cylinders.
- General improvements and bug fixes

#### AirKey app 3.0.0 for Android

- Increased security requirements: A hardware security module in smartphones is now required to be able to install the current AirKey app.
- Support for deep links for easier integration with other apps: The <https://airkey.evva.com/view/componentslist> link opens the list of Bluetooth locking components within range.

- "Battery empty" warning displayed after unlocking a cylinder
- Support for Android 7.x and earlier versions discontinued. Existing installations will work until further notice.
- General improvements and bug fixes

## AirKey app 1.18.0 (159) for iOS

- Support for deep links for easier integration with other apps: The <https://airkey.evva.com/view/componentslist> link opens the list of Bluetooth locking components within range.
- "Battery empty" warning displayed after unlocking a cylinder
- All active Bluetooth locking components within range are now shown in the list of maintenance tasks with a yellow icon. The inactive Bluetooth locking components are shown with a grey icon.
- Adjustments and support for iOS 17.x
- Support for iOS 13.x and earlier versions discontinued. Existing installations will work until further notice.
- General improvements and bug fixes

## Locking components

- Enhanced security and encryption (from ECDSA-224 to ECDSA-256)
- Preparations have been made for new electronic hardware for cylinders and wall readers with EAL6+ certified Secure Element (SmartXM3).
- Preparations have been made for a new electronic module for Bluetooth cylinders.
- General improvements and bug fixes

## What is required to use the new functions?

The following components of the AirKey system must be updated so that the described functions can be used:

- **AirKey app** for Android available in Google Play Store
- **AirKey app** for iOS available in Apple App Store
- **Firmware** for Bluetooth cylinders
- **Firmware** for Bluetooth wall readers

The **AirKey online administration** will be updated automatically.

If you are using an optional coding station, install and restart the **coding station application** to use the latest update (<https://airkey.evva.com/smcrest/jnlp/newest-jar-file/>).

For changes relating to the **AirKey Cloud Interface**, please directly consult the [API documentation](#).

The AirKey team from EVVA wishes you lots of fun with the new functions and improvements of AirKey!

## **AirKey Release Notes 21 June 2023**

The AirKey system has been enhanced with new features and existing ones improved to offer you the best possible service and a high-quality product. For this purpose, we are releasing a new version of the AirKey system.

### **What is new?**

From 21 June 2023, the following functions and improvements of the AirKey system will be available:

#### **Firmware 5.92 for Bluetooth wall readers**

- Fixed a bug where Bluetooth wall readers showed no reaction in rare cases

### **What is required to use the new features?**

All components within the AirKey system must be up to date to be able to use the features described in the release notes.

- **Firmware** for Bluetooth wall readers

The AirKey team from EVVA wishes you lots of fun with the new functions and improvements of AirKey!



## **AirKey Release Notes 24 April 2023**

The AirKey system has been enhanced with new features and existing ones improved to offer you the best possible service and a high-quality product. For this purpose, we are releasing a new version of the AirKey system.

### **What is new?**

From 24 April 2023, the following functions and improvements of the AirKey system will be available:

#### **Firmware 6.0 for Bluetooth cylinders**

- Support for future electronic components
- General improvements and troubleshooting

### **What is required to use the new features?**

All components within the AirKey system must be up to date to be able to use the features described in the release notes.

- **Firmware** for Bluetooth cylinders

The AirKey team from EVVA wishes you lots of fun with the new functions and improvements of AirKey!

## AirKey Release Notes 29 November 2022

The AirKey system has been enhanced with new features and existing ones improved to offer you the best possible service and a high-quality product. For this purpose, we are releasing a new version of the AirKey system.

### What is new?

From 9 December 2022, the following functions and improvements of the AirKey system will be available:

#### AirKey app 2.8.3 for Android

- Attention! On December 11, 2022, the server certificate will be updated. Connections between AirKey app and AirKey server are the only possible with the latest app version. Update your AirKey app on time. Unlocking doors is still possible with the previous versions of the AirKey app.
- General improvements and bug fixes

#### AirKey online administration

- Attention! On December 9, 2022, the server certificate will be updated. AirKey component (access media and locking components) updates using the coding station are also affected by the certification update. Download the latest version of the coding station application now, so that updates via the coding station continue to work: <https://airkey.evva.com/smkrest/jnlp/newest-jar-file/>.

### What is required to use the new functions?

The following components of the AirKey system must be updated so that the described functions can be used:

- **AirKey app** for Android available in Google Play Store

If you are using an optional coding station, install and restart the **coding station application** to use the latest update.

The AirKey team from EVVA wishes you lots of fun with the new functions and improvements of AirKey!

## AirKey Release Notes 13 September 2022

The AirKey system has been enhanced with new features and existing ones improved to offer you the best possible service and a high-quality product. For this purpose, we are releasing a new version of the AirKey system.

### What is new?

From 13 September 2022, the following functions and improvements of the AirKey system will be available:

#### AirKey online administration

- Easily smartphone replacement: The AirKey authorisations and settings of an old smartphone are automatically transferred to a new smartphone.
- New role available "sub-administrator": Sub-administrators can manage media and access authorisations exclusively for selected areas and AirKey components. This means that larger access systems can be divided into smaller administrative units.
- Hands-free mode can be deactivated for AirKey components: The system administrator can disable the Hands-free mode for selected doors (e.g. safe room, garage door, etc.).
- Four-eyes principle for event log viewing can be activated: A second system administrator must confirm access to data protection-relevant event logs.
- Text for the "Send a Key" SMS can be freely defined (max. 150 characters). The standard text now also contains the name of the access control system.
- The PDF list of the AirKey maintenance tasks now contains the customer data and the location of the locking components if this has been specified.
- RS485 interface can be activated for Bluetooth wall readers: The log entry of the last successful access can be transmitted to a third-party system via the RS485 interface (examples of use: elevator control, time recording, lockers, etc.). For more information, see the [API documentation](#).
- Coding station application: The field "lockingSystemId" of an access medium located on the coding station can be transmitted to a third-party system via a parameter (examples of use: automatic check-in, display of personal data, etc.). Further information can also be found in the [API documentation](#) and in the help of the coding station application (`java -jar web-start-container-customer-<version>.jar -h`).
- General improvements and bug fixes

#### AirKey app 2.8.2 for Android

- New "Replace smartphone" function: This function can be used to transmit AirKey authorisations and settings from your old smartphone to a new smartphone using a QR code. Depending on the system settings, the replacement takes place automatically or must be confirmed by a system administrator. Please contact your AirKey system administrator if you no longer have access to your old smartphone.
- Support for Android 6.x and earlier versions discontinued. Existing installations will work until further notice.
- General improvements and bug fixes

## AirKey app 1.16.0 (140) for iOS

- New "Replace smartphone" function: This function can be used to transmit AirKey authorisations and settings from your old smartphone to a new smartphone using a QR code. Depending on the system settings, the replacement takes place automatically or must be confirmed by a system administrator. Please contact your AirKey system administrator if you no longer have access to your old smartphone.
- Support for iOS 12.x and earlier versions discontinued. Existing installations will work until further notice.
- General improvements and bug fixes

## Locking components

- Bluetooth wall readers can transmit the log entry of the last successful access to a third-party system via the RS485 interface (examples of use: elevator control, time recording, lockers, etc.).
- General improvements and bug fixes

## What is required to use the new functions?

The following components of the AirKey system must be updated so that the described functions can be used:

- **AirKey app** for Android available in Google Play Store
- **AirKey app** for iOS available in Apple App Store
- **Firmware** for Bluetooth wall readers

The **AirKey online administration** will be updated automatically.

If you are using an optional coding station, install and restart the **coding station application** to use the latest update.

For changes relating to the **AirKey Cloud Interface**, please directly consult the [API documentation](#).

The AirKey team from EVVA wishes you lots of fun with the new functions and improvements of AirKey!

## AirKey Release Notes 07 March 2022

The AirKey system has been enhanced with new features and existing ones improved to offer you the best possible service and a high-quality product. For this purpose, we are releasing a new version of the AirKey system.

### What is new?

The following functions and improvements will be available with the new AirKey version from the specified date indicated in the maintenance window:

#### AirKey online administration

- General improvements and troubleshooting
- Preparations for new SmartMX3 access media (with the microchip NXP Desfire EV2-J, JCOP 4 MF3P82S0A6/0ZA21D)
- When starting the coding station application via the command line, a self-defined port and the desired coding station can be selected. This makes it possible to use several coding station applications in parallel on one PC.

#### AirKey app 2.6.0 for Android

- General improvements and troubleshooting
- Preparations for new SmartMX3 access media

#### AirKey app 1.12.0 (121) for iOS

- General improvements and troubleshooting
- Preparations for new SmartMX3 access media
- Adaptations for iOS 15
- Support for iOS 11.x and earlier versions discontinued. Existing installations will work until further notice.

#### Locking components

- General improvements and troubleshooting

#### Access media

- Preparations for new SmartMX3 access media

### What is required to use the new functions?

The following components of the AirKey system must be updated so that the described functions can be used:

- **AirKey app** for Android available in Google Play Store
- **AirKey app** for iOS available in Apple App Store
- **Firmware** for Bluetooth cylinders and Bluetooth wall readers
- **Keyring** version for access media

The **AirKey online administration** will be updated automatically.

If you are using an optional coding station, install and restart the **coding station application** to use the latest update.

For changes relating to the **AirKey Cloud Interface** please directly consult the [API documentation](#).

The AirKey team from EVVA wishes you lots of fun with the new functions and improvements of AirKey!

## AirKey Release Notes 20 December 2021

The AirKey system has been enhanced with new features and existing ones improved to offer you the best possible service and a high-quality product. For this purpose, we are releasing a new version of the AirKey system.

### What is new?

#### AirKey online administration

- Log4Shell bug (CVE-2021-44228) in the Java module Log4j: AirKey was already checked on Sunday 12/12/2021. Only the AirKey Cloud Interface (API) was using a version of Log4j that contained this error. The problem was corrected on the same day, restoring AirKey's security.
- As an extended security measure, all software components have now been updated to the latest Log4j version.

### What is required to use the new features?

**AirKey online administration** has been updated automatically.

If you are using an optional coding station, install and restart the **coding station application** to use the latest update.

For changes relating to the **AirKey Cloud Interface** please directly consult the [API documentation](#).

The AirKey team from EVVA wishes you lots of fun with the new functions and improvements of AirKey!

## **AirKey Release Notes 6 July 2021**

The AirKey system has been enhanced with new features and existing ones improved to offer you the best possible service and a high-quality product. For this purpose, we are releasing a new version of the AirKey system.

### **What is new?**

#### **Firmware 5.6 for Bluetooth cylinders**

- Improved battery life at low temperatures
- Remedy of an error in which Bluetooth can remain active in rare cases after an opening process
- General improvements and troubleshooting

### **What is required to use the new features?**

All components within the AirKey system must be up to date to be able to use the features described in the release notes.

- **Firmware** for Bluetooth cylinders

The AirKey team from EVVA wishes you lots of fun with the new functions and improvements of AirKey!



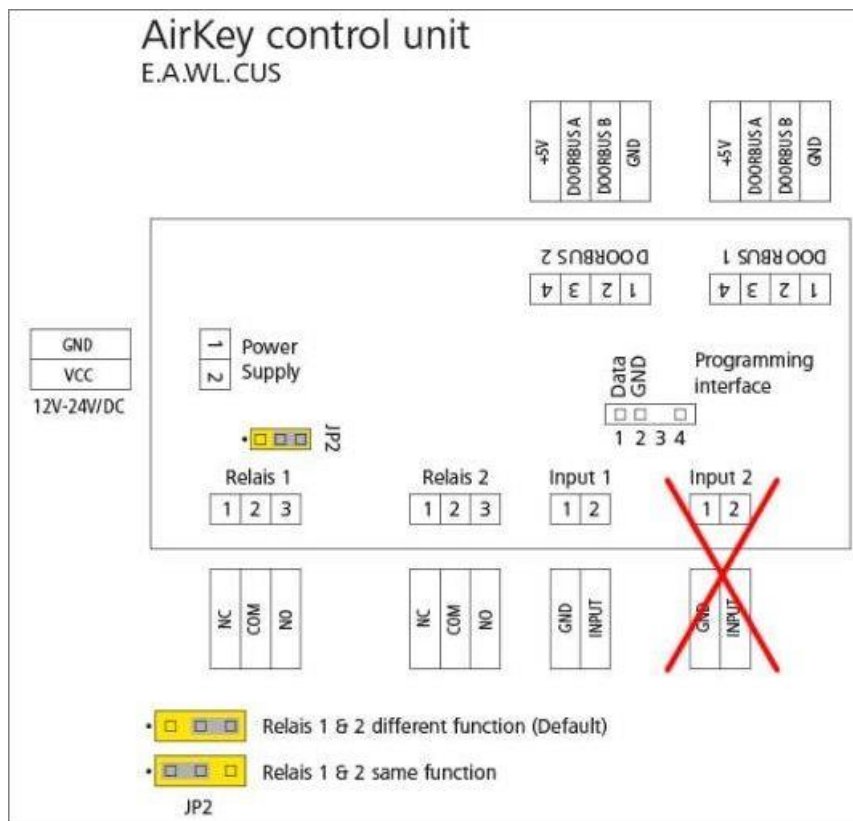
## AirKey Release Notes 20 December 2020

The AirKey system has been enhanced with new features and existing ones improved to offer you the best possible service and a high-quality product. For this purpose, we are releasing a new version of the AirKey system.

### What is new?

#### Firmware 5.4 for AirKey wall readers

- Elimination of sporadic functional problems when switching on (the relay is briefly activated)
- Input 2, if present, is now deactivated. If an exit button is used, please ensure that it is connected to input 1.



- General improvements and troubleshooting

### What is required to use the new functions?

The following components of the AirKey system must be updated so that the described functions can be used:

- **Firmware** for AirKey wall readers

The AirKey team from EVVA wishes you lots of fun with the new functions and improvements of AirKey!

## AirKey Release Notes 13 May 2020

The AirKey system has been enhanced with new features and existing ones improved to offer you the best possible service and a high-quality product. For this purpose, we are releasing a new version of the AirKey system.

### What is new?

The following functions and improvements will be available with the new AirKey version from the specified date indicated in the maintenance window:

#### Locking components

- Improvement of the firmware updates for locking components with firmware version 3.28 or earlier
- General improvements and troubleshooting

### What is required to use the new functions?

The following components of the AirKey system must be updated so that the described functions can be used:

- **Firmware** for AirKey wall readers and AirKey cylinders

The AirKey team from EVVA wishes you lots of fun with the new functions and improvements of AirKey!

## AirKey Release Notes 27 February 2020

The AirKey system has been enhanced with new features and existing ones improved to offer you the best possible service and a high-quality product. For this purpose, we are releasing a new version of the AirKey system.

### What is new?

The following functions and improvements will be available with the new AirKey version from the specified date indicated in the maintenance window:

#### AirKey online administration

- General improvements and troubleshooting

#### AirKey app 2.5.1 for Android

- Other improvements for Android 10
- Optimised use of battery power when "Hands-free mode" and "Unlock from notifications" functions are disabled
- General improvements and troubleshooting

### What is required to use the new functions?

The following components of the AirKey system must be updated so that the described functions can be used:

- **AirKey app** for Android available in Google Play Store

**AirKey online administration** will be updated automatically.

If you are using an optional coding station, install and restart the **coding station application** to use the latest update.

For changes relating to the **AirKey Cloud Interface** please directly consult the [API documentation](#).

The AirKey team from EVVA wishes you lots of fun with the new functions and improvements of AirKey!

## AirKey Release Notes 3 December 2019

The AirKey system has been enhanced with new features and existing ones improved to offer you the best possible service and a high-quality product. For this purpose, we are releasing a new version of the AirKey system.

### What is new?

With 03/12/2019 we will be providing an improved Android App version for AirKey. The following new functions and improvements will be available with the new version:

#### AirKey app 2.4.6 for Android

- "Send a Key" has been further optimized.
- Adjustments for Android 10
- Various bugfixes and more stable operation

### What is required to use the new functions?

The following components of the AirKey system must be updated so that the described functions can be used:

- New **AirKey app** for Android in Google Play Store

The AirKey team from EVVA wishes you lots of fun with the new functions and improvements of AirKey!

## AirKey Release Notes 31 October 2019

The AirKey system has been enhanced with new features and existing ones improved to offer you the best possible service and a high-quality product. For this purpose, we are releasing a new version of the AirKey system.

### What is new?

The following functions and improvements will be available with the new AirKey version from the specified date indicated in the maintenance window:

#### AirKey online administration

- The administrator can determine via the online administration whether a smartphone may lock despite activated screen lock.
- **Updating after locking process:** Locking components can be updated automatically after each Bluetooth locking process, provided an Internet connection is available. This happens at least every 6 hours, or (adjustable) after each Bluetooth locking process. This makes the following locking system data even more up-to-date for locking processes with smartphones:
  - Blacklist
  - Time zone
  - Time
  - Event log entries
- Various bugfixes and more stable operation

#### AirKey app 2.4.0 for Android

- "Send a Key" has been simplified.
- The locking process has been optimised.
- New feature **Foreground Service:** Hands-free locking operations and locking resulting from notifications are even faster and more stable.
- **Support for updating after locking process**
- Various bugfixes and more stable operation

#### AirKey app 1.9.0 (91) for iOS

- "Send a Key" has been simplified
- The locking process has been optimised
- **New feature supporting iOS NFC:** NFC activates the AirKey app and allows Bluetooth locking (iPhone XR, iPhone XS, iPhone XS Max).
- **Support for updating after locking process**
- Various bugfixes and more stable operation

#### Locking components

- Support for iOS NFC (only for Bluetooth locking components)
- New feature: **Update after locking process** (only for Bluetooth locking components)
- Optimisation of energy consumption and battery-empty recognition
- Various bugfixes and more stable operation

## What is required to use the new functions?

All components within the AirKey system must be up to date to be able to use the functions described in the release notes. Bluetooth actions are available with new Bluetooth AirKey components only.

Update to the new AirKey version and benefit from:

- New AirKey app for Android and iOS in the corresponding stores
- New firmware for AirKey wall readers and AirKey cylinders

AirKey online administration will be updated automatically.

If you are using an optional coding station, install and restart the **coding station application** to use the latest update.

The AirKey team from EVVA wishes you lots of fun with the new functions and improvements of AirKey!

## AirKey Release Notes 22 August 2019

The AirKey system has been enhanced with new features and existing ones improved to offer you the best possible service and a high-quality product. For this purpose, we are releasing a new version of the AirKey system.

### What is new?

The following functions and improvements will be available with the new AirKey version from the specified date indicated in the maintenance window:

#### AirKey online administration

- AirKey Cloud Interface - Application Programming Interface (API) for third-party systems
- Various bugfixes and more stable operation

### What is required to use the new functions?

**AirKey online administration** will be updated automatically.

KeyCredits are needed to activate the **AirKey Cloud Interface**. Use your existing KeyCredits volume credits or use the corresponding **KeyCredits AirKey Cloud Interface** card.

For more details about the AirKey Cloud Interface, contact your EVVA partner or use the system manual (<https://www.evva.com/en/airkey/systemmanual/>) and the AirKey Cloud Interface documentation (<https://integration.api.airkey.evva.com/docs/>).

If you are using a coding station, install and restart the **coding station application**.

The AirKey team from EVVA wishes you lots of fun with the new functions and improvements of AirKey!

## **AirKey Release Notes 19 July 2019**

The AirKey system has been enhanced with new features and existing ones improved to offer you the best possible service and a high-quality product. For this purpose, we are releasing a new version of the AirKey system.

### **What is new?**

The following functions and improvements will be available with the new AirKey version from the specified date indicated in the maintenance window:

#### **App for iOS**

- Due to an error in the iOS operating system, some smartphones were no longer registered after the update to 1.8.0. This version solves the problem for an update from a version < 1.8.0.



## AirKey Release Notes 10 July 2019

The AirKey system has been enhanced with new features and existing ones improved to offer you the best possible service and a high-quality product. For this purpose, we are releasing a new version of the AirKey system.

### What is new?

The following functions and improvements will be available with the new AirKey version from the specified date indicated in the maintenance window:

#### AirKey online administration

- Two factor authentication (2FA) can optionally be activated to login
- Optional automatic update of the AirKey app data on a smartphone after a locking process
- Failed login attempts are logged
- Various bugfixes and more stable operation

#### AirKey app for Android

- Update interval is reduced from 24 to 12 hours (every 12 hours an attempt automatically made to update the AirKey app data on a smartphone)
- Various bugfixes and more stable operation

#### AirKey app for iOS

- Update interval is reduced from 24 to 12 hours (every 12 hours an attempt automatically made to update the AirKey app data on a smartphone)
- Various bugfixes and more stable operation

### What is required to use the new functions?

The following components of the AirKey system must be updated so that the described functions can be used:

- **AirKey app** for Android available in Google Play Store
- **AirKey app** for iOS available in Apple App Store

**AirKey online administration** will be updated automatically.

If you are using a coding station, install and restart the **coding station application**.

The AirKey team from EVVA wishes you lots of fun with the new functions and improvements of AirKey!

## AirKey Release Notes 6 December 2018

The AirKey system has been enhanced with new features and existing ones improved to offer you the best possible service and a high-quality product. For this purpose, we are releasing a new version of the AirKey system.

### What is new?

The following functions and improvements will be available with the new AirKey version from the specified date indicated in the maintenance window:

#### AirKey online administration

- The number of simultaneous shares for AirKey components has been increased from 100 to 250.
- Option to operate coding stations without AirKey online administration and GUI:  
<https://airkey.evva.com/smkrest/jnlp/newest-jar-file>
  - Sample description:  
`java -jar smk-web-start-container-11.10.5-production.jar --help`
- Better SMS delivery rate via "Send a Key"
- Support for Java browser applet discontinued. The coding station can be used with the coding station application as usual.
- Various bugfixes and more stable operation

#### AirKey app for Android

- Adjustments and support for Android 9
- Improved compatibility for new smartphones
- Support for Android 4.x and earlier versions discontinued. Existing installations will work until further notice.
- Various bugfixes and more stable operation

#### AirKey app for iOS

- Adjustments and support for iOS 12
- Improved compatibility for new smartphones
- Graphical adaptations to iPhone X (Notch)
- Various bugfixes and more stable operation

#### AirKey locking components

- The number of simultaneous shares for AirKey components has been increased from 100 to 250.
- Improvement of Hands-free functionality for Bluetooth wall readers if the smartphone does not leave the Hands-free locking range
- Various bugfixes and more stable operation

## What is required to use the new functions?

All components within the AirKey system must be up to date to be able to use the functions described in the release notes. Bluetooth actions are available with new Bluetooth AirKey components only.

Update to the new AirKey version and benefit from:

- New AirKey app for Android and iOS in the corresponding stores
- New firmware for AirKey wall readers and AirKey cylinders
- New Keyring version for access media

AirKey online administration will be updated automatically.

## **AirKey Release Notes 24 September 2018**

The AirKey system has been enhanced with new features and existing ones improved to offer you the best possible service and a high-quality product. For this purpose, we are releasing a new version of the AirKey system.

From 24/09/2018 we will be providing an improved cylinder firmware package 4.84 (thumb turn 4.84 / electronics module 4.84 / JC applet 6.48) for Bluetooth cylinders.

The following new functions and improvements will be available with the new version:

### **AirKey BLE cylinder firmware:**

- Improved and optimised wake-up process
- Optimised battery status indicator
- Prepared for approval in more than 100 systems
- Various bug fixes and more stable operation

## **AirKey Release Notes 19 June 2018**

The AirKey system has been enhanced with new features and existing ones improved to offer you the best possible service and a high-quality product. For this purpose, we are releasing a new version of the AirKey system.

### **AirKey app for iOS**

- Improved fault handling with slow or unstable data connections
- Fault elimination when synchronising large data quantities

## AirKey Release Notes 20 February 2018

The AirKey system has been enhanced with new features and existing ones improved to offer you the best possible service and a high-quality product. For this purpose, we are releasing a new version of the AirKey system.

### What is new?

The following functions and improvements will be available with the new AirKey version from the specified date indicated in the maintenance window:

#### AirKey online administration

- It is once again possible to receive information about due maintenance tasks or important information for administrators by email.
- Various bug fixes and more stable operation.
- Important: the server certificate will be updated from 13 February 2018. AirKey component (media and locking components) updates using the coding station are also affected by the certification update. If you use a coding station, reload the local application or browser applet after 13 February 2018 to make sure updates via the coding station will continue to work.

#### AirKey app

- Information about upcoming maintenance tasks via push notifications for maintenance technicians.
- Various bug fixes and stabilisations.
- Important! On 13 February 2018 the server certificate will be updated. Connections between AirKey app and AirKey server are the only possible with the latest app version. Update your AirKey app on time. Locking operations of locking components are still possible with the previous versions of the AirKey app.

#### Locking components

- Optimised battery management and increased battery service life if manual office mode has been configured for locking components
- Various bugfixes and more stable operation

### What is required to use the new functions?

All components within the AirKey system must be up to date to be able to use the functions described in the release notes. Bluetooth actions are available with new Bluetooth locking components only.

Update to the new AirKey version and benefit from:

- A new AirKey app for Android and iOS (available in app stores from 09 February 2018)
- New firmware for AirKey wall readers and AirKey cylinders.

AirKey online administration will be updated automatically.

We anticipate the update to be available on **20 February 2018** from **16:00**. The new AirKey App versions for Android and iOS will already be available at an earlier date. You will be notified accordingly in the AirKey online administration or in the AirKey App.

## **AirKey Release Notes 09 February 2018**

The AirKey system has been enhanced with new features and existing ones improved to offer you the best possible service and a high-quality product. For this purpose, we are releasing a new version of the AirKey system.

### **AirKey app**

- Information about upcoming maintenance tasks via push notifications for maintenance technicians.
- Various bug fixes and stabilisations.
- Important! On 13 February 2018 the server certificate will be updated. Connections between AirKey app and AirKey-Server are the only possible with the latest app version. Update your AirKey app on time. Locking operations of locking components are still possible with the previous versions of the AirKey app.



## AirKey Release Notes 15 November 2017

The AirKey system has been enhanced with new features and existing ones improved to offer you the best possible service and a high-quality product. For this purpose, we are releasing a new version of the AirKey system.

### What is new?

On the date indicated in the maintenance window you will receive the update for a new, more flexible and highly secure AirKey system!

AirKey now also supports iPhone thanks to an individual iOS AirKey app available from the Apple App Store. All new, supplied locking components, such as cylinders, padlocks and wall readers feature both NFC as well as Bluetooth technology for corresponding operation. Consequently, the new Bluetooth functionality enables use of the components with the iOS mobile operating system as well as the established Android operating system.

Any existing locking components without Bluetooth functionality also support all new functions that are not directly linked to Bluetooth using NFC technology. They can be easily converted to Bluetooth locking components by replacing the thumb turn or reader unit. Contact your EVVA Partner for more information!

In addition to Bluetooth and iOS support AirKey has been enhanced by further, interesting functions.

In detail, the following new functions and improvements are made available with the new, updated version of AirKey:

### Online administration

- New, more transparent start page for a clearer overview and to control the locking system
- A wizard provides support during initial locking system setup
- The new "Send a Key" function makes registering smartphones and the assignment of authorisations easier thanks to the option to send text messages (SMS) directly from the AirKey online administration
  - New smartphones can now be directly registered using the received SMS text message
  - New or changed authorisations are automatically sent to the smartphone after they have been created
- Send messages with changes to authorisations so users are notified of changes
- Geotagging – save address data or GPS coordinates for locking components
  - This allows direct navigation to a locking component
- Global time zones including summer and winter time settings have already been preconfigured
  - Time zones are compared with an official time zone database
- Manage public holidays in an independent public holiday calendar
  - System does not start automatic office mode on public holidays
  - Users with periodic access authorisations are denied access on public holidays. This consequently excludes unauthorised access.
- Save specified values to configure locking components
  - New locking components are then added to the system as per the configured, specified values without having to subsequently adapt them

- Once you have logged in, you can quickly and simply change the language using a drop-down list
  - "Swedish" added to available languages
- New persons can be quickly imported using a .CSV file.
  - It is also possible to import persons several times.
- Export all list views and protocols as well as the locking charts
- Print transfer confirmations for identification media and smartphones
- Configure locking component settings in an individual tab
- The designation and additional information for locking components can be directly adapted in the list of locking components
- The smartphone telephone number must no longer be unique. This facilitates the replacement of smartphones. IMPORTANT! The "Send a Key" function requires the telephone number
- Identification media and smartphones can be more easily removed from the locking system even if these are no longer available
- Improved browser compatibility of the coding station
  - The coding station can either be addressed using a local application or a browser applet. Browser developers' support for Java browser applets is becoming increasingly more sporadic. For this reason, we **recommend** you use the coding station with the free, local **Java web start application**
  - **New function:** the coding station can be used as an **updater for media and locking components** with the local application **without having to log in to the online administration**. For instance, it is consequently possible to pick up new authorisations for media at front desks.
  - Improved coding station use with **firewalls** and in the event of restrictions imposed by Internet providers. The coding station now communicates using port 443 instead of port 7070.
  - The local application currently supports the following browsers and operating systems:
    - Windows (Windows 7 and 10): **Chrome, Firefox, Internet Explorer and Edge**
    - MacOS (OS X 10): Chrome and Firefox
    - Linux (Ubuntu 14.04): Firefox
  - Our homepage provides installation instructions for the local coding station application.  
[http://www.evva.com/fileadmin/files\\_all/Download/AirKey/Installationsanleitung/Installing\\_coding\\_stations.pdf](http://www.evva.com/fileadmin/files_all/Download/AirKey/Installationsanleitung/Installing_coding_stations.pdf)
- Configure email notifications for administrators
  - Administrators receive emails for new maintenance tasks, important information or maintenance windows even if they have logged out from the online administration

## App

- Completely redesigned app
- The AirKey app is now available for Android AND iOS.
- App operation has been enhanced by Bluetooth actions
  - Unit lists the Bluetooth components within range to block or update them and activate office mode
  - Provides notifications to start the unlocking process as soon as users come within range of an authorised Bluetooth component
- The optionally available Hands-free function allows unlocking the Bluetooth locking components as soon as users come within range.
- Stay informed about new or changed authorisations as well as upcoming maintenance tasks thanks to notifications.

- If the smartphone has been registered in more than one locking system, you can individually select the locking systems for which you would like to send notifications.
- Locking components can simply be set to office mode using smartphones
- The "Pull-to-refresh" function replaces the previous synchronisation button of the smartphone
  - Swipe your finger from the top to the bottom of the display within the AirKey app to trigger synchronisation of the smartphone
- Use the "Encode media" function to update identification media using locking components.
  - The smartphone connects to a locking component via Bluetooth and you can then update the identification medium at this locking component. Consequently, the smartphone must not feature NFC functionality.
- Now open the "Settings" menu item to add more locking systems
- "Swedish" added to available languages

## Identification media

- Activate office mode in locking components by quickly holding the identification medium to the reader unit twice in succession
- Locking component authorisations and area authorisations have now been adapted to each other (previously: locking component authorisations higher up in hierarchy than area authorisations)

## Locking components

- Wall readers, padlocks and cylinders enhanced by Bluetooth technology
- Tap the Bluetooth cylinder to start communication and unlock components
- Office mode can be automatically activated in wall readers, padlocks and cylinders at certain times or manually enabled by smartphone or identification media
  - Manually enabled office modes can be ended automatically at certain times (semi-automatic)
- Normal and enhanced release durations can be adjusted between 1 and 250 seconds for each locking component
- Simply replace existing NFC only thumb turns or reader units with new Bluetooth thumb turns and reader units! Contact your EVVA Partner for more information!

## What is required to use the new functions?

All components within the AirKey system must be up to date to be able to use the functions described in the release notes. Bluetooth actions can be used on the new Bluetooth locking component only.

Update to the new AirKey version and benefit from the following:

- New AirKey app for Android and iOS
- New firmware for AirKey wall readers and AirKey cylinders
- New Keyring version for identification media

The AirKey online administration will be updated automatically.

We anticipate the update to AirKey 2.2 to be available on **15/11/2017**. The AirKey online administration tool will notify you accordingly.

The EVVA AirKey team hopes you enjoy the new functions and improvements of AirKey!

## **AirKey Release Notes 06 April 2017**

Dear Customers!

We are constantly in the process of keeping the infrastructure of the AirKey system up to date to offer you the best possible services. In this context, we are carrying out scheduled maintenance tasks as part of which there may be interruptions in the AirKey system.

## **AirKey Release Notes 21 February 2017**

Dear Customers!

We are constantly in the process of keeping the infrastructure of the AirKey system up to date to offer you the best possible services. In this context, we are carrying out scheduled maintenance tasks as part of which there may be interruptions in the AirKey system.

## **AirKey Release Notes 11 August 2016**

We permanently strive towards enhancing the AirKey system with new functionalities and improving existing functions to be able to offer you the best possible service and a high-quality product. For this purpose, we are releasing a new version of the AirKey system.

### **App**

- Increased smartphone compatibility. View a list of [tested smartphones](#)
- Eliminated translation errors

### **Wall reader firmware update**

- Preparation for the use of additional identification media.

### **What is required to be able to use the new functions?**

All components within the AirKey system must be up to date to be able to use all the functions described in the release notes.

Update to the new AirKey version and benefit from the following:

- New AirKey app
- New firmware for AirKey wall readers

We anticipate **Release 11/08/2016** to be available from **08:00 p.m.**

The EVVA AirKey team hopes you enjoy the new functions and improvements to AirKey!

## **AirKey Release Notes 13 June 2016**

An upgraded cylinder firmware package 3.28 (knob 3.28 / electronic module 3.12 / JC-applet 5.6) will be available by 13/06/2016. It offers the following new functions and improvements:

### **Firmware**

- Enhanced ID media recognition and wake-up from standby
- Reduced standby power consumption and increased battery life

## **AirKey Release Notes 24 March 2016**

On 24/03/2016 the improved version of AirKey app is online. The following new features and enhancements are available with the new version:

### **App**

- Optimized communication between app and online administration
- Communication is now via port 443 instead port 7070 in order to be more independent from restrictions of mobile operators and WiFi port configurations (firewalls)
- Elimination of errors that may occur during connection interruptions while updating the firmware (JC applet update)
- Corrected translation errors



## AirKey Release Notes 11 February 2016

We permanently strive towards enhancing the AirKey system with new functionalities and improving existing functions to be able to offer you the best possible service and a high-quality product. For this purpose, we are releasing a new version of the AirKey system.

### What is new?

The following functions and improvements will also be available with the new AirKey version from the specified date indicated in the maintenance window:

#### Online administration

- It is once again possible to select buttons within dialogues in Internet Explorer 11
- "Forgotten password" process adapted
- Eliminated translation errors
- Minor bugfixes

#### App

- Tactile feedback for "Connection cancelled" error message
- Eliminated translation errors
- Minor bugfixes

Additional smartphones have also been tested with this app and the list of compatible smartphones has been updated on our homepage.

#### Firmware

- Improved AirKey cylinder battery management
- The staff of EVVA Vienna is able to repair components that have been replaced as part of repair options or components that have been removed without replacements

### What is required to be able to use the new functions?

Make sure all components within the AirKey system are up-to-date to be able to use all the functions described within these release notes.

Update to the new AirKey version and benefit from the following:

- New AirKey app
- New firmware for AirKey cylinders
- New firmware for AirKey wall readers

We anticipate **release 11/02/2016** to be available from **20:00**. The AirKey online administration tool will notify you accordingly.

The EVVA AirKey team hopes you enjoy the new functions and improvements to AirKey!

## AirKey Release Notes 24 July 2015

We permanently strive towards enhancing the AirKey system with new functions and improving existing features to be able to offer you the best possible service and a high-quality product. For this purpose, we are releasing a new version of the AirKey system.

### What is new?

From August 2015 the AirKey wall reader will be added to our product range. It allows you to control electronic access components as usual with your AirKey media.

The following additional functions and improvements are now available with the new AirKey version:

### Online administration

- AirKey wall reader support
- Optimised login page
- Display of certificate of approval
- Simpler processes to add components via coding stations
- Improved error display on locking components
- Repair options are summarised in a shared maintenance task
- Eliminated translation errors
- New languages: Spanish and Portuguese
- Minor bugfixes

### App

- Enhanced compatibility with Android 5
- AirKey wall reader support
- Tactile feedback for updates
- Improved error display on locking components
- Eliminated translation errors
- New languages: Spanish and Portuguese
- Minor bugfixes

### Firmware

- Enhanced smartphone compatibility
- AirKey wall reader support
- Shorter identification time

### What is required to be able use the new functions?

Make sure all components within the AirKey system are up to date to be able to use all the functions described in these release notes.

Update to the new AirKey app and benefit from the following:

- New AirKey app
- New firmware for AirKey cylinders
- Availability of AirKey wall reader

We anticipate the **Release 24/07/2015** to be available from **27/07/2015, 9 pm**. The AirKey online administration tool will notify you accordingly.

The EVVA AirKey team hopes you enjoy the new hardware, the new functions and the improvements to AirKey!

## **AirKey Release Notes 17 March 2015**

### **AirKey cylinder firmware:**

- Troubleshooting Release
- Applies only to cylinders with firmware version JC applet version 4.18 PIC version 1.6, motor PIC version 1.2:
  - Troubleshoot the timer module (RTC); Limited time entrees are possible without errors after the update. The log entries are shown with the correct time stamp. An update to the latest firmware version JC applet version 4.18 PIC version 1.8, motor PIC version 1.2 is strongly recommended.
- Applies only to cylinders with firmware versions lower than JC applet version 4.18 PIC version 1.6, motor PIC version 1.2:
  - Preparation for Android version 5.0

## **AirKey Release Notes 19 December 2014**

### **AirKey online administration:**

- Person related protocol entries are only anonymised rather than erased if the according data protection feature is enabled in order to make sure that all actions are listed but person related information is not accessible.
- Minor adjustments in protocolling process
- Minor adjustments in various languages

### **AirKey app:**

- The name of the locking system in the component details is displayed correctly for maintenance personnel
- Minor adjustments in various languages
- Increasing the security level at the storage process of authorisations

## **AirKey Release Notes 24 July 2014**

We permanently strive towards enhancing the AirKey system with new functionalities and improving existing functions to be able to offer you the best possible service and a high-quality product. For this purpose, we are releasing a new version of the AirKey system.

### **What is new?**

The following functions and improvements have been implemented in the new AirKey version:

#### **AirKey online administration:**

- AirKey online administration can now also be successfully operated using tablets.
- Intelligent blacklist: The blacklist independently removes entries of media where temporary authorisations have expired.
- You can now directly add locking components in the mega menu
- The search in the system protocol has been enhanced by component and media IDs.
- When reactivating media you can select whether or not to restore the authorisations that were last saved.
- You can use the software to remove faulty cylinders from the system that can no longer be updated

#### **AirKey app:**

- Translations of additional languages have been adapted

### **What is required to be able to use the new functions?**

Make sure all components within the AirKey system are up to date to be able to use all the functions described within these release notes.

#### **With this release the following components will get an update:**

- AirKey app
- Firmware for AirKey cylinders

We anticipate the update to Release **24/07/2014** to be available from **24/07/2014, 21:00 h**. The AirKey online administration tool will notify you accordingly.

The EVVA AirKey team hopes you enjoy the new functions and improvements to AirKey!

## **AirKey Release Notes 09 May 2014**

We permanently strive towards enhancing the AirKey system by new functionalities and improving existing functions to be able to offer you the best possible service and a high-quality product. For this purpose, we are releasing a new version of the AirKey system.

### **What is new in release 09/05/2014?**

The following functions and improvements have been implemented in the new AirKey version:

#### **AirKey online administration:**

- Fully deactivated media can now be removed from the system without having to reactivate said media beforehand.
- Minor adaptations to how events are recorded in the protocols
- It is now possible to edit and save deactivated media

#### **AirKey app:**

- A new "Remove" button to remove components has been introduced within the AirKey app to adapt the design and procedure to the process for adding components.
- Smartphone media may now also be registered for new systems even if they were not deleted properly from other systems beforehand.
- Improved timeout response of the AirKey app. As a result, communication between components and smartphones is re-established more quickly following drops in the connection and this benefits the handling.

#### **AirKey cylinder firmware:**

- Reading characteristics for cards and key tags have been improved

### **What is required to be able to use the new functions?**

Make sure all components within the AirKey system are up to date to be able to use all the functions described within these release notes.

#### **Update to the new AirKey app and benefit from the following:**

- New AirKey app
- New firmware for AirKey cylinder
- New key tag version for media (cards and key tag)

We anticipate the update to **Release 09/05/2014** to be available from **09/05/2014, 4 pm**. The AirKey online administration tool will notify you accordingly.

The EVVA AirKey team hopes you enjoy the new functions and improvements to AirKey!