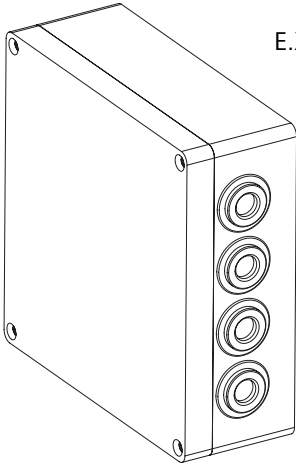


Montageanleitung | Assembly manual | Montagehandleiding
Instructions de montage | Istruzioni di montaggio | Montážní návody
Montážne návody | Instrukcje montażu | Installationsanvisningar



E.X.WL.CUS

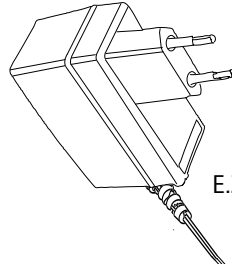
IP54



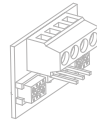
E.TE.ZU.CU6



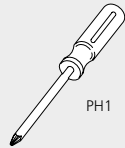
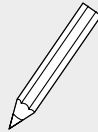
Option



E.ZU.WL.NT



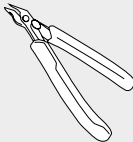
E.X.WL._ _



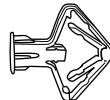
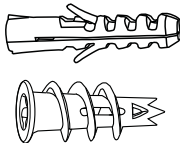
PH1



2,5/0,5 mm

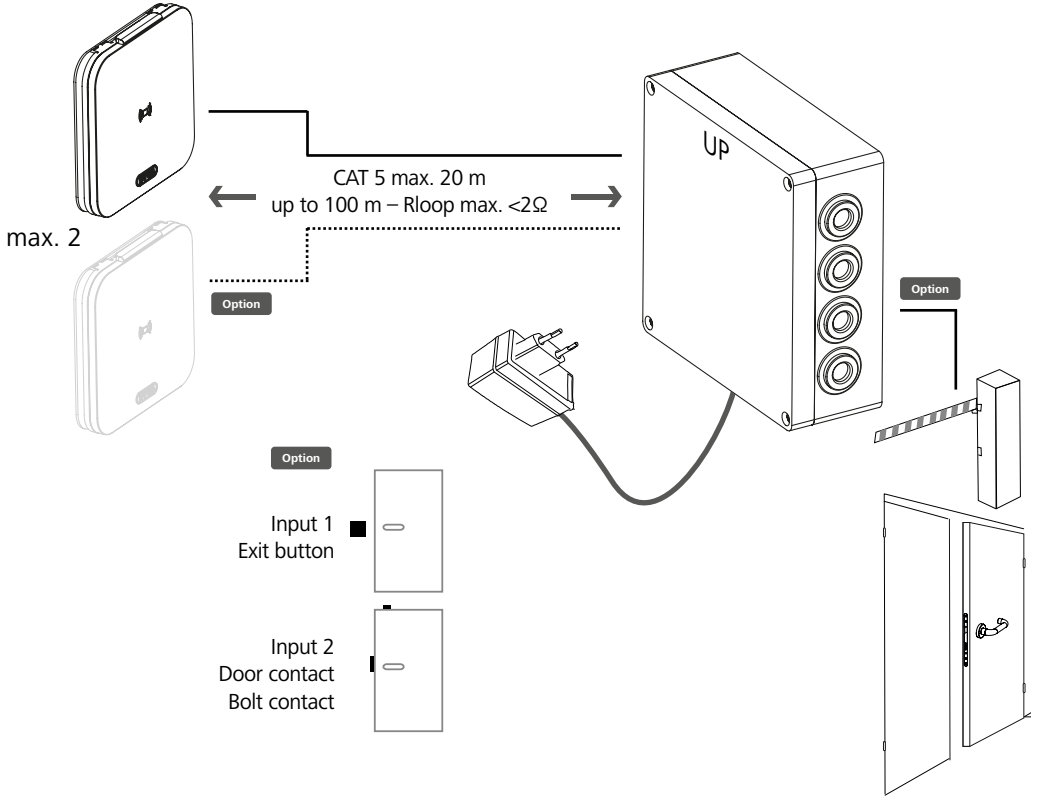


4x

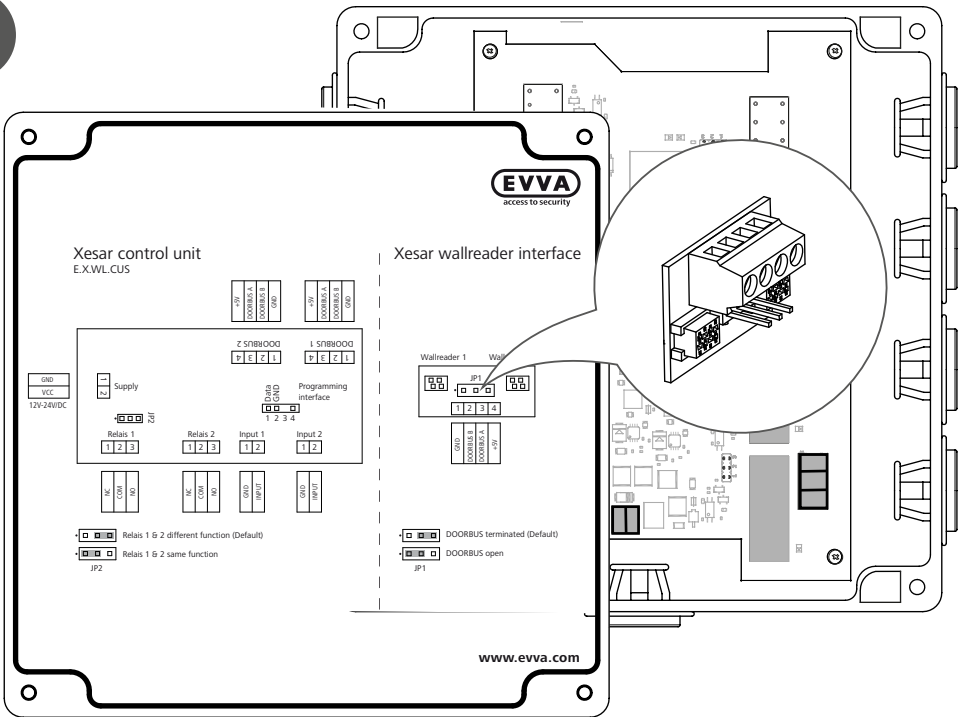
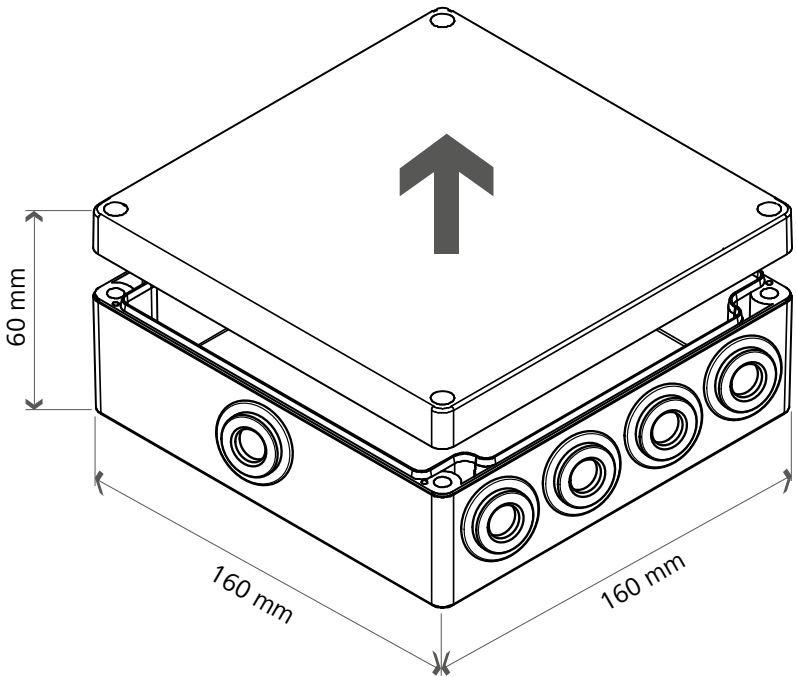


Option

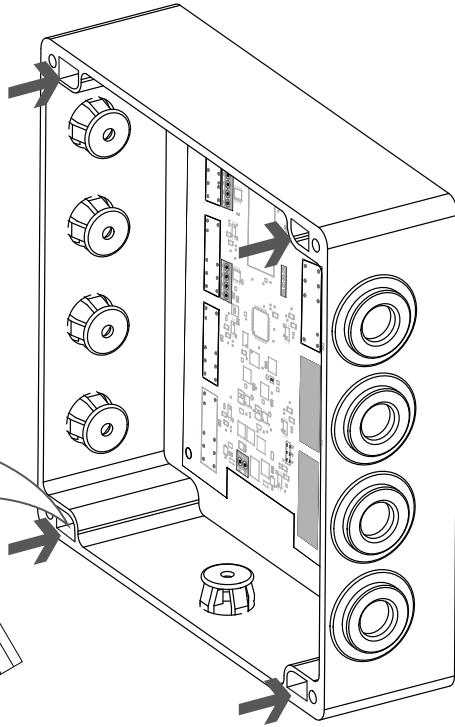
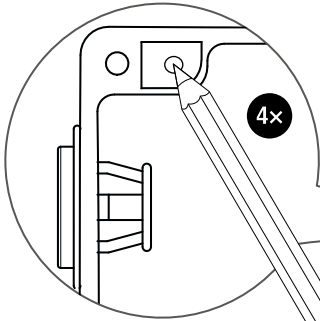
1



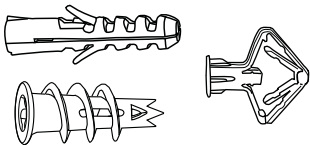
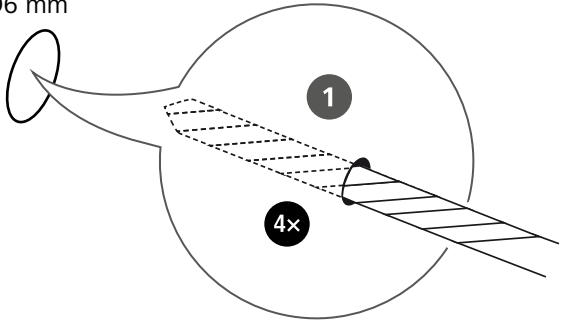
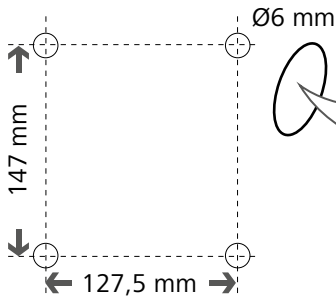
2



3

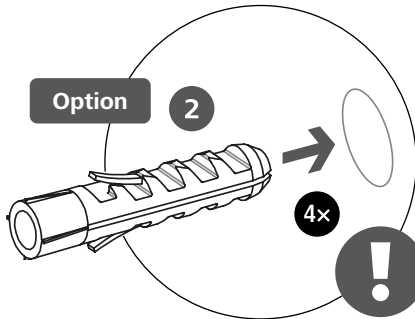


4

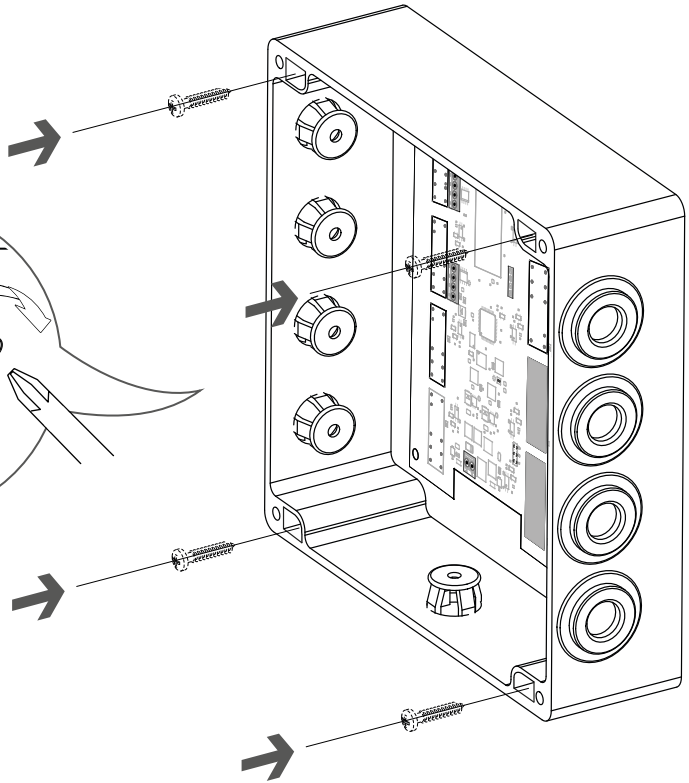
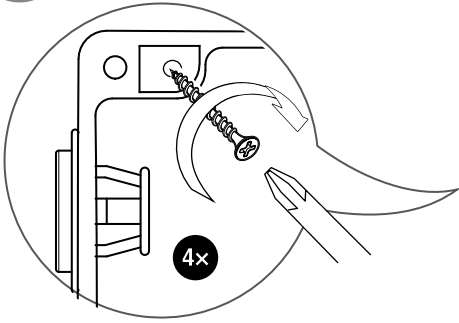


Option

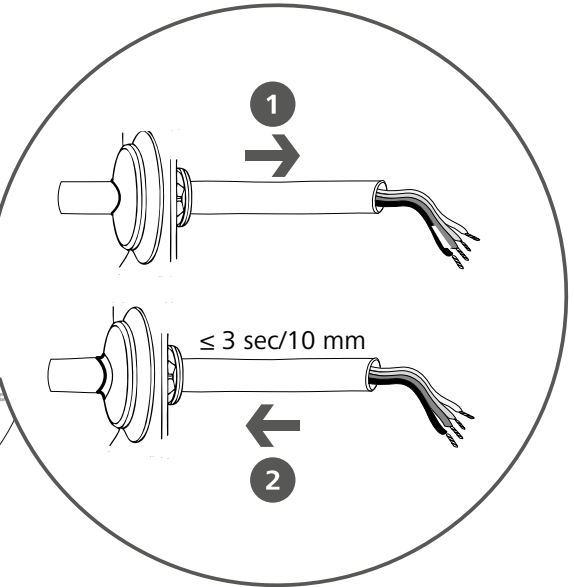
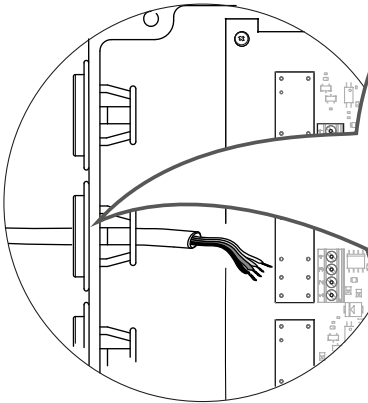
2



5

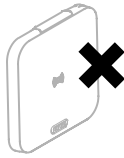
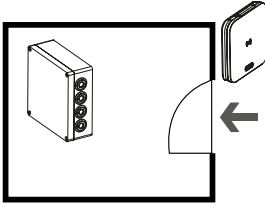


6

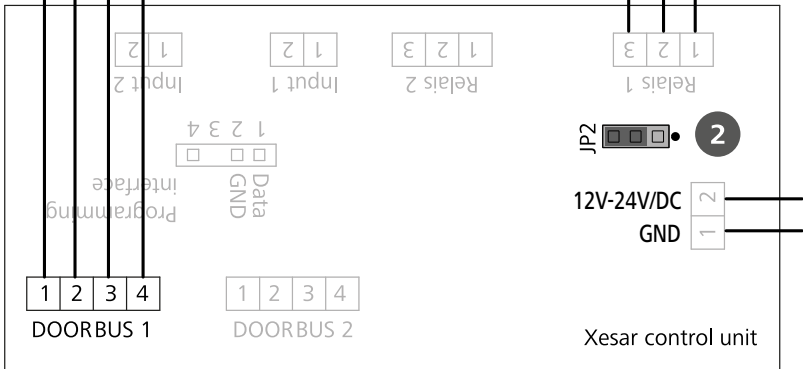
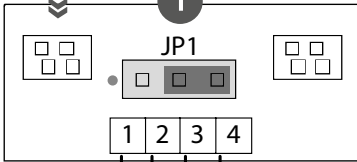


7

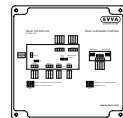
Option 1



1

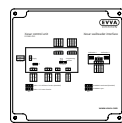
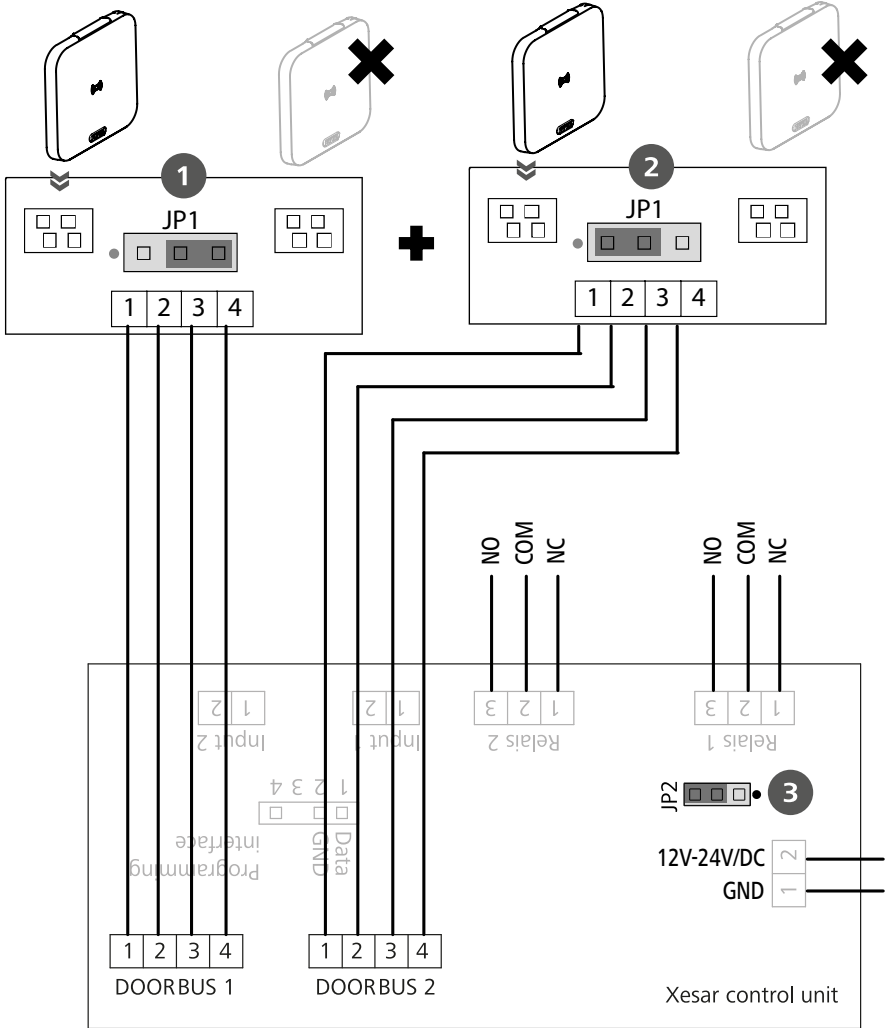
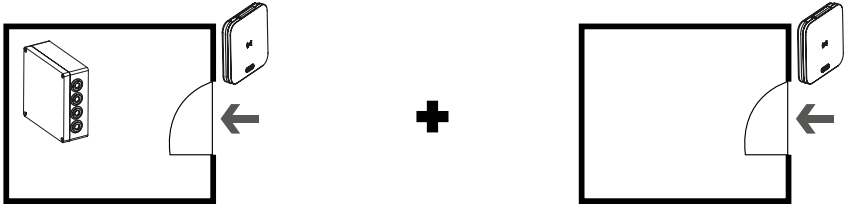


2



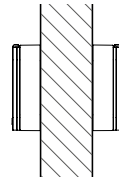
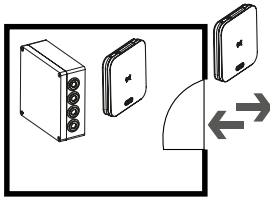
7

Option 2

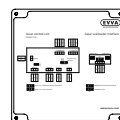
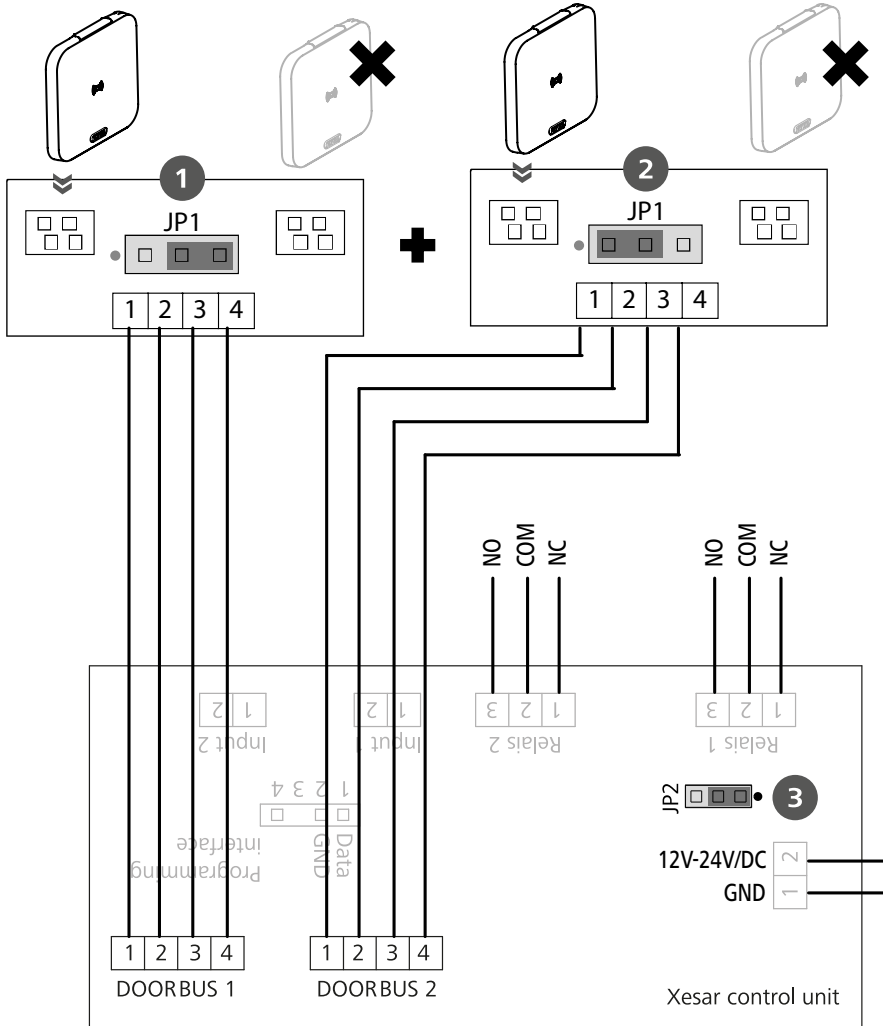


7

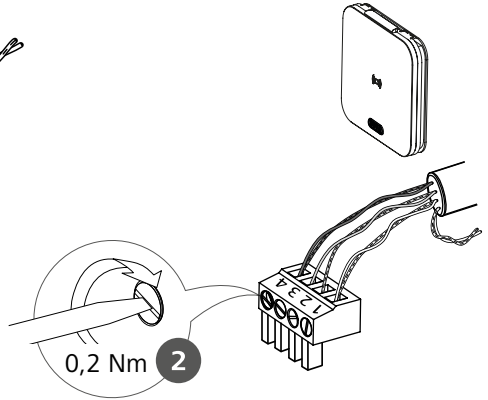
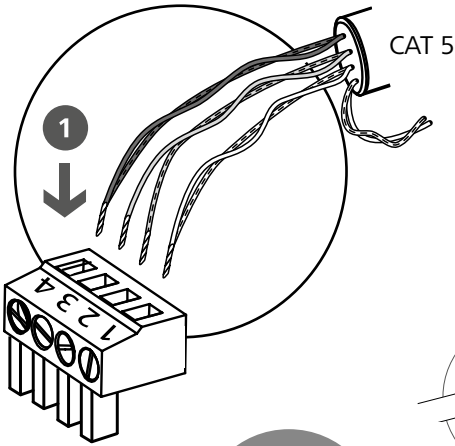
Option 3



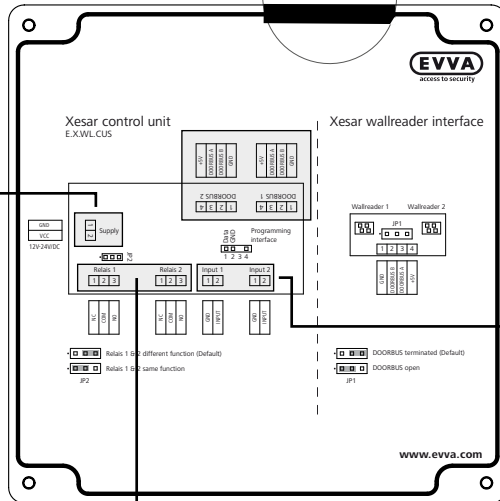
min 10 cm



8

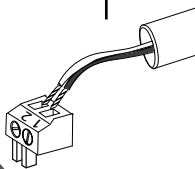


CHECK



Input 1
Exit button

Input 2
Door contact
Bolt contact

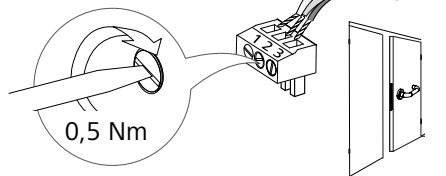


Option

E.ZU.WL.NT

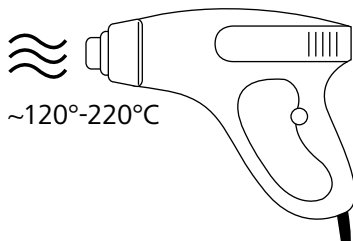
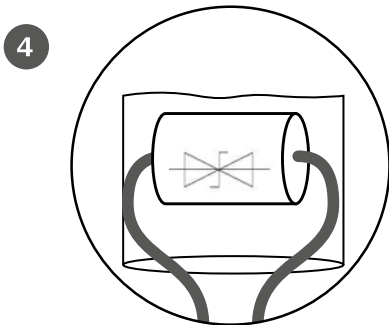
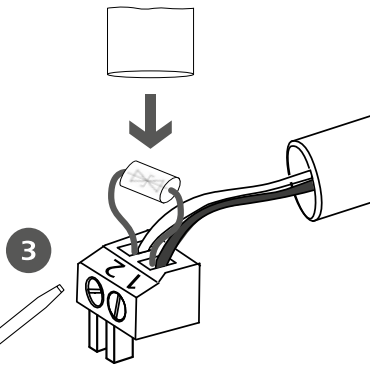
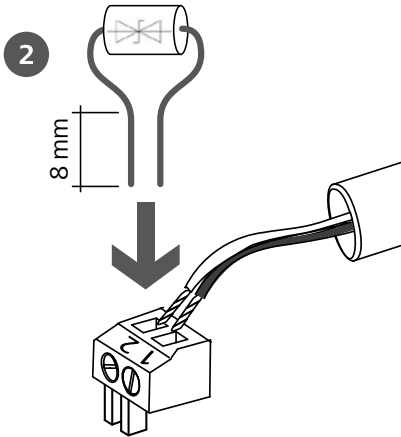
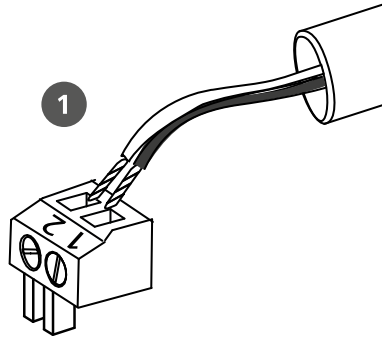
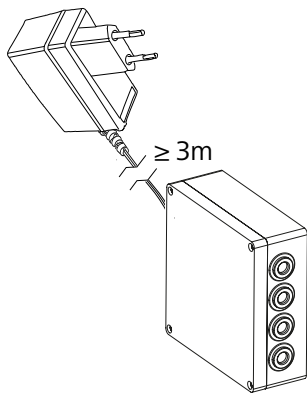
| | |
|-----|-----|
| GND | VCC |
| 1 | 2 |

12V-24V/DC

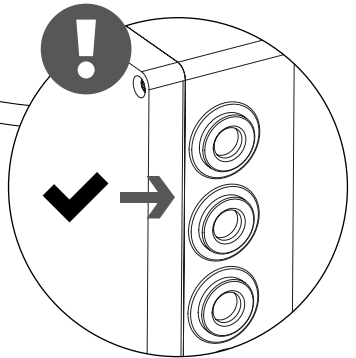
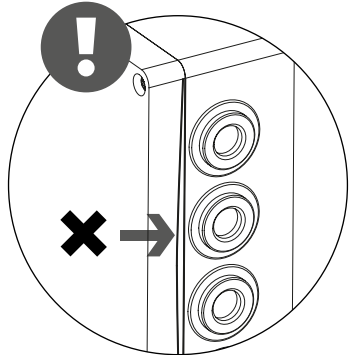
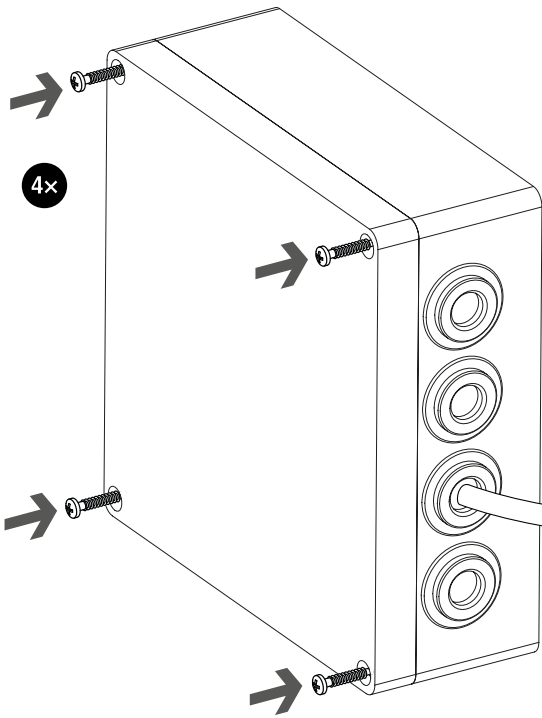




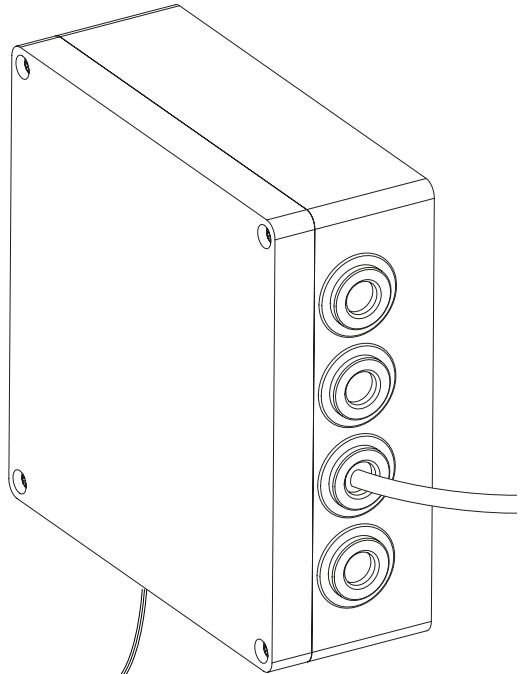
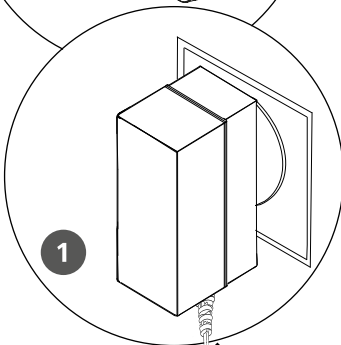
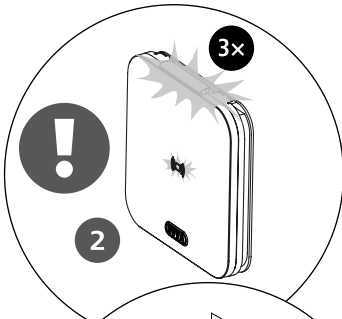
Option $\geq 3m$



9

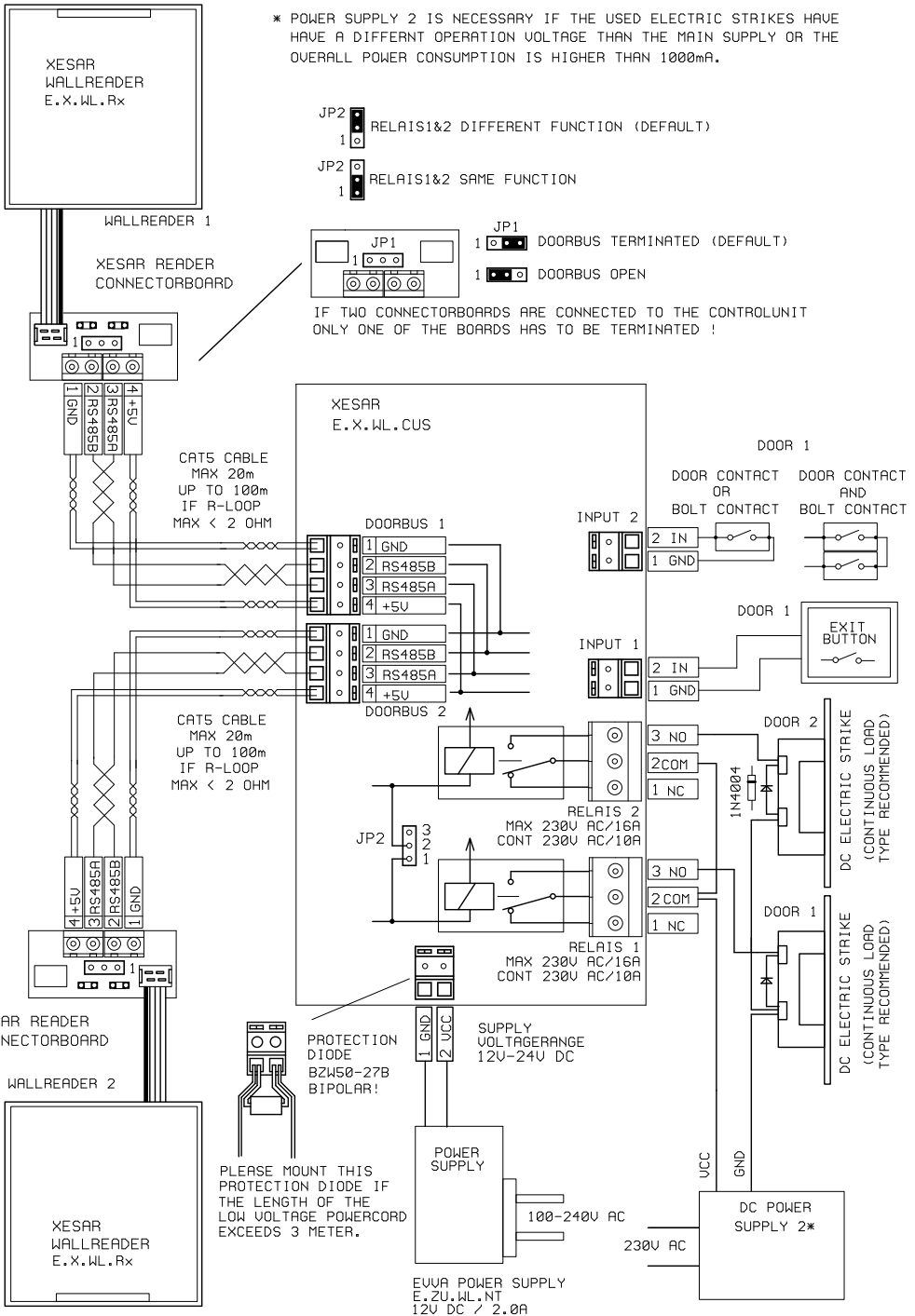


10

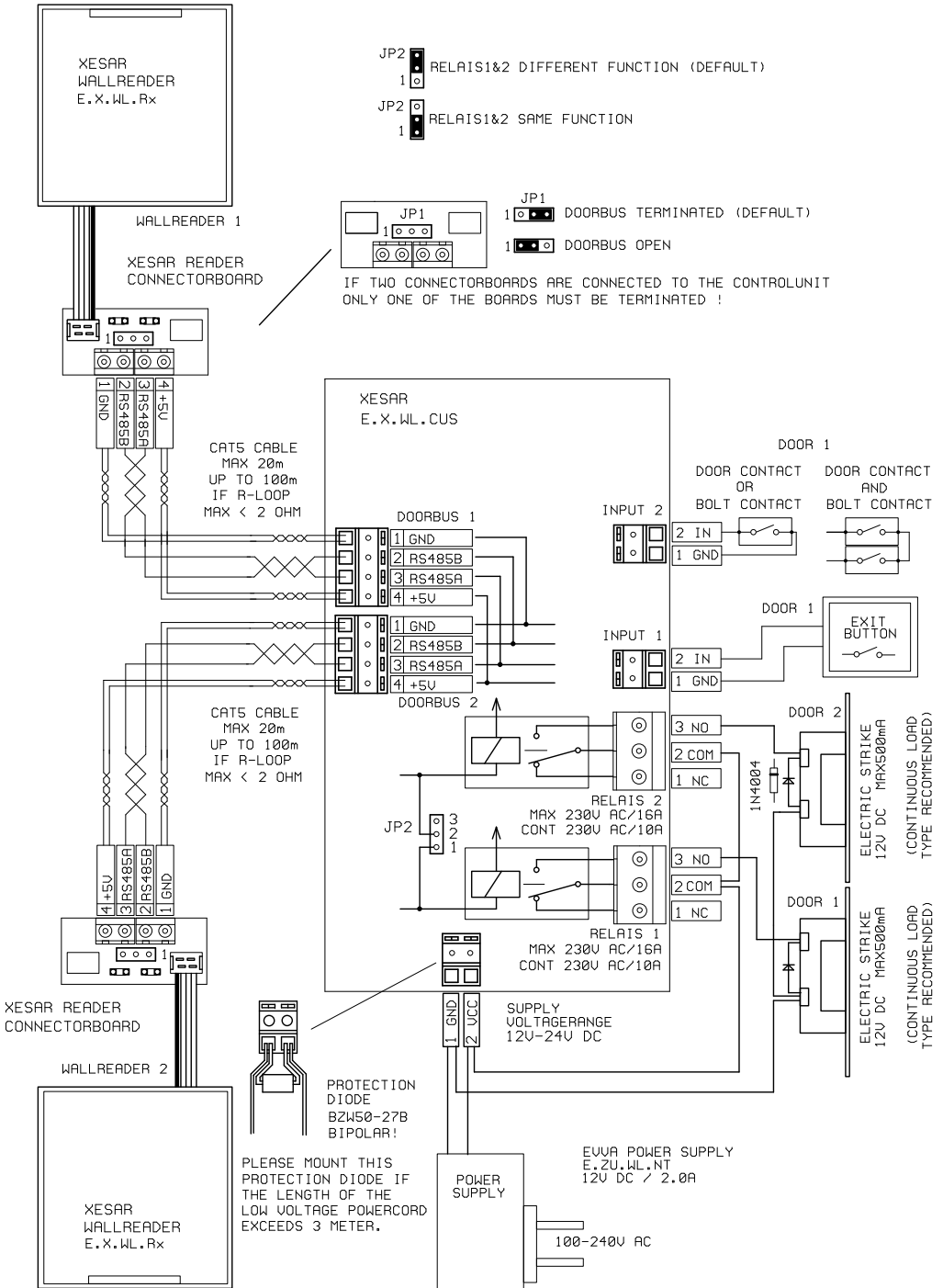


01 CONTROL UNIT WITH DC LOW CURRENT ELECTRIC STROKES

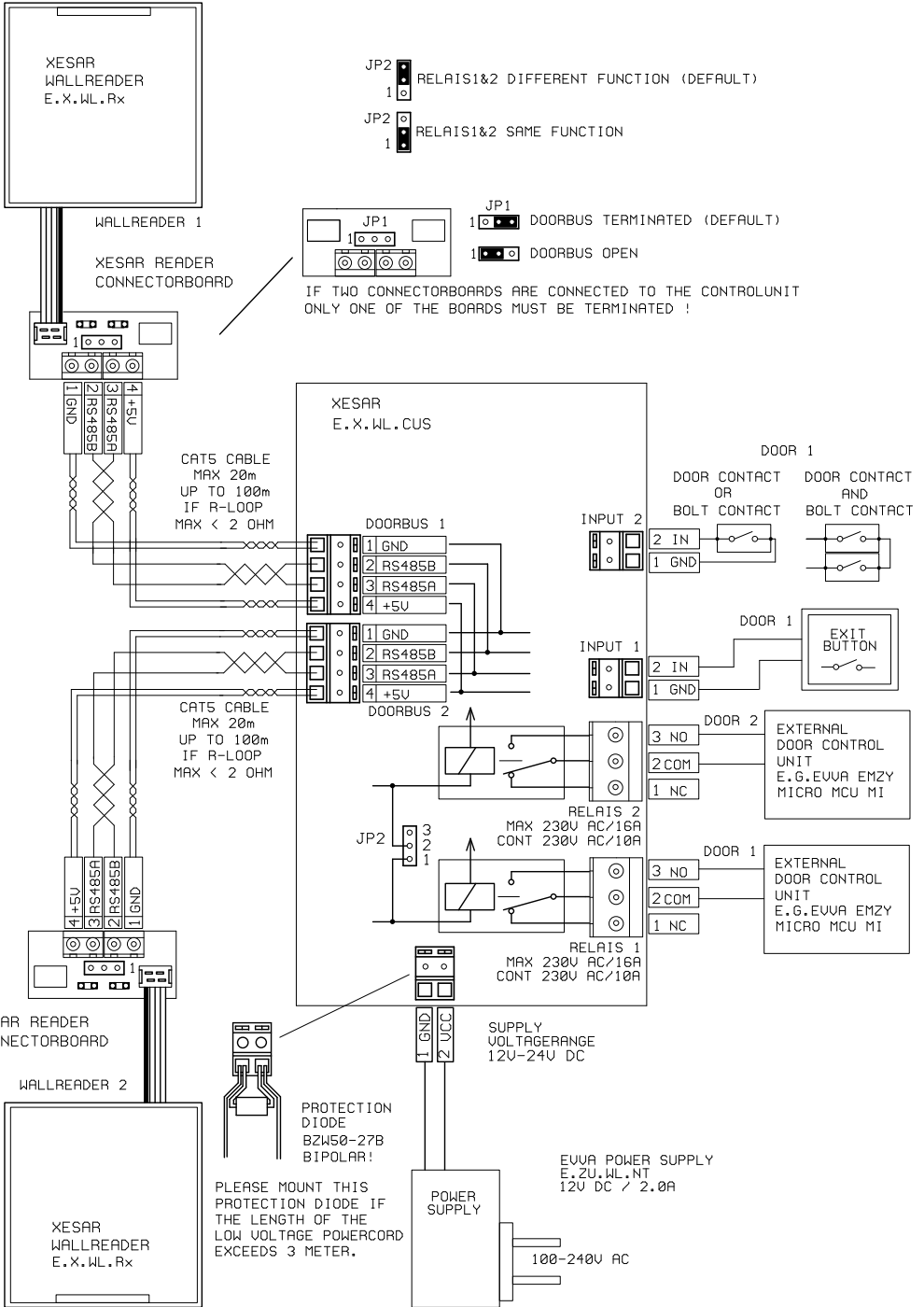
* POWER SUPPLY 2 IS NECESSARY IF THE USED ELECTRIC STRIKES HAVE HAVE A DIFFERNT OPERATION VOLTAGE THAN THE MAIN SUPPLY OR THE OVERALL POWER CONSUMPTION IS HIGHER THAN 1000mA.



02 CONTROL UNIT WITH DC HIGH CURRENT ELECTRIC STROKES

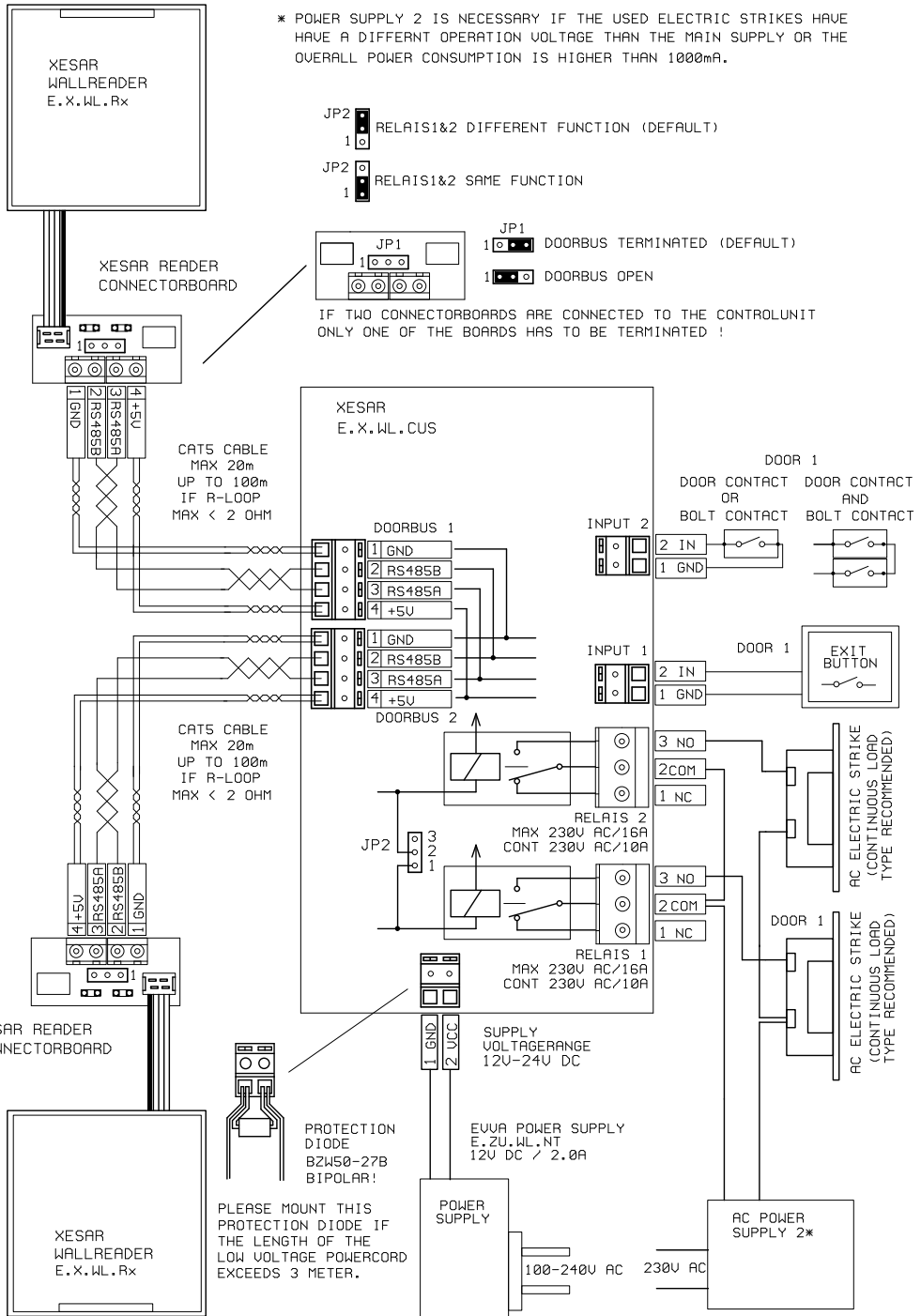


03 CONTROL UNIT WITH AC ELECTRIC STROKES



04 CONTROL UNIT WITH EXTERNAL DOOR CONTROL UNIT

* POWER SUPPLY 2 IS NECESSARY IF THE USED ELECTRIC STRIKES HAVE A DIFFERENT OPERATION VOLTAGE THAN THE MAIN SUPPLY OR THE OVERALL POWER CONSUMPTION IS HIGHER THAN 1000mA.



CE UK UK
NI CA



www.evva.com

EVVA Sicherheitstechnologie GmbH | Wienerbergstraße 59-65 | A-1120 Wien